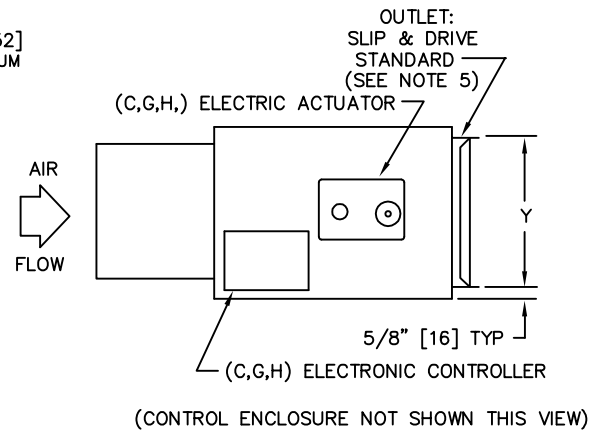
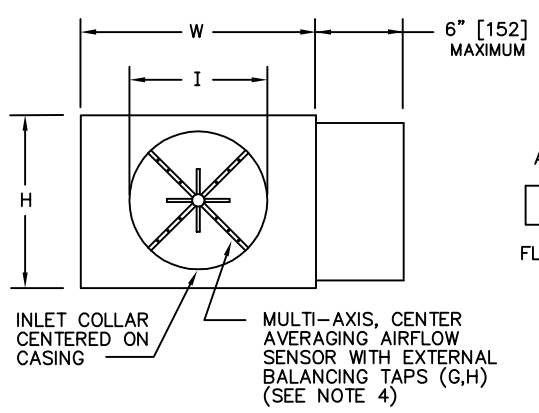
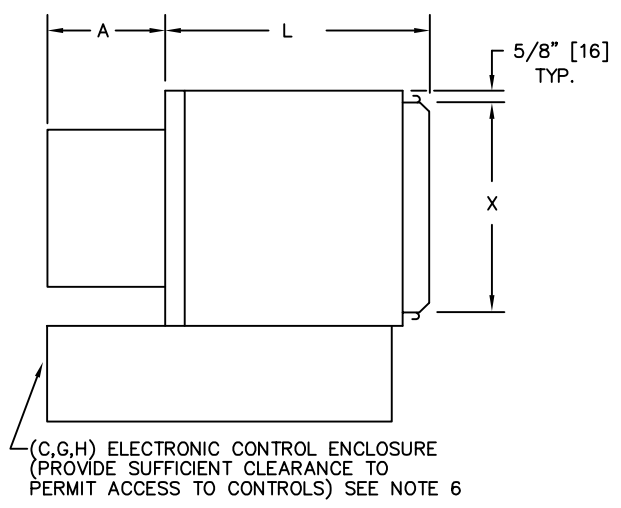


UNIT SIZE	W	H	L	A	I	X	Y
4	10" [254]	10" [254]	11" [279]	10-1/2" [267]	3-7/8" [98]	8-3/4" [222]	8-3/4" [222]
5	10" [254]	10" [254]	11" [279]	10-1/2" [267]	4-7/8" [124]	8-3/4" [222]	8-3/4" [222]
6	10" [254]	10" [254]	11" [279]	6-1/2" [165]	5-7/8" [149]	8-3/4" [222]	8-3/4" [222]
8	12" [305]	10" [254]	11" [279]	6-1/2" [165]	7-7/8" [200]	10-3/4" [273]	8-3/4" [222]
10	14" [356]	12-1/2" [318]	13" [330]	6-1/2" [165]	9-7/8" [251]	12-3/4" [324]	11-1/4" [286]
12	16" [406]	15" [381]	13" [330]	6-1/2" [165]	11-7/8" [302]	14-3/4" [375]	13-3/4" [349]
14	20" [508]	17-1/2" [445]	17" [432]	6-1/2" [165]	13-7/8" [352]	18-3/4" [476]	16-1/4" [413]
16	24" [610]	17-1/2" [445]	17" [432]	6-1/2" [165]	15-7/8" [403]	22-3/4" [578]	16-1/4" [413]



CONSTRUCTION NOTES:

- All dimensions are in inches [millimeters]. All dimensions $\pm 1/4"$ [6mm]. Metric values are soft conversions.
- MATERIAL: Galvanized steel; Casing -22 gauge; Air valve casing -22 gauge.
- INSULATION: 1/2" [13] thick fiberglass complying with NFPA 90-A and UL 181.
- AIRFLOW SENSOR: Sizes 4 & 5 utilize single-axis linear averaging type.
- INSTALLATION: A) If internal insulation is utilized in the downstream ductwork, the insulation must be secured in such a manner that no raw insulation edges are exposed to the airstream. B) Inlet & Outlet collars should be externally insulated by others (in the field) if required.
- Provide sufficient clearance to permit access to controls and comply with applicable codes and ordinances.

DOUBLE WALL CASING

(C) DIGITAL CONTROLS BY OTHERS
(G) PRESSURE INDEPENDENT - SERIES SD7000
(H) DIRECT DIGITAL PRESSURE INDEPENDENT - SERIES SDV900

TITLE: MODEL SDR
ELECTRONIC CONTROL



DRN BY: NANCE	DATE: 2/13/92	SCALE: 1=1	DRAWING NO.
CKD BY: Chrs H	DATE: 5/23/06	REV: 04	15240

THIS DRAWING CONTAINS PROPRIETARY DATA. UNAUTHORIZED DISCLOSURE, REPRODUCTION, OR USE IS STRICTLY PROHIBITED WITHOUT WRITTEN PERMISSION

DO NOT SCALE DRAWING
DIMENSIONS AND DATA ARE SUBJECT TO CHANGE WITHOUT NOTICE.
CONTACT FACTORY FOR CERTIFIED DRAWINGS.