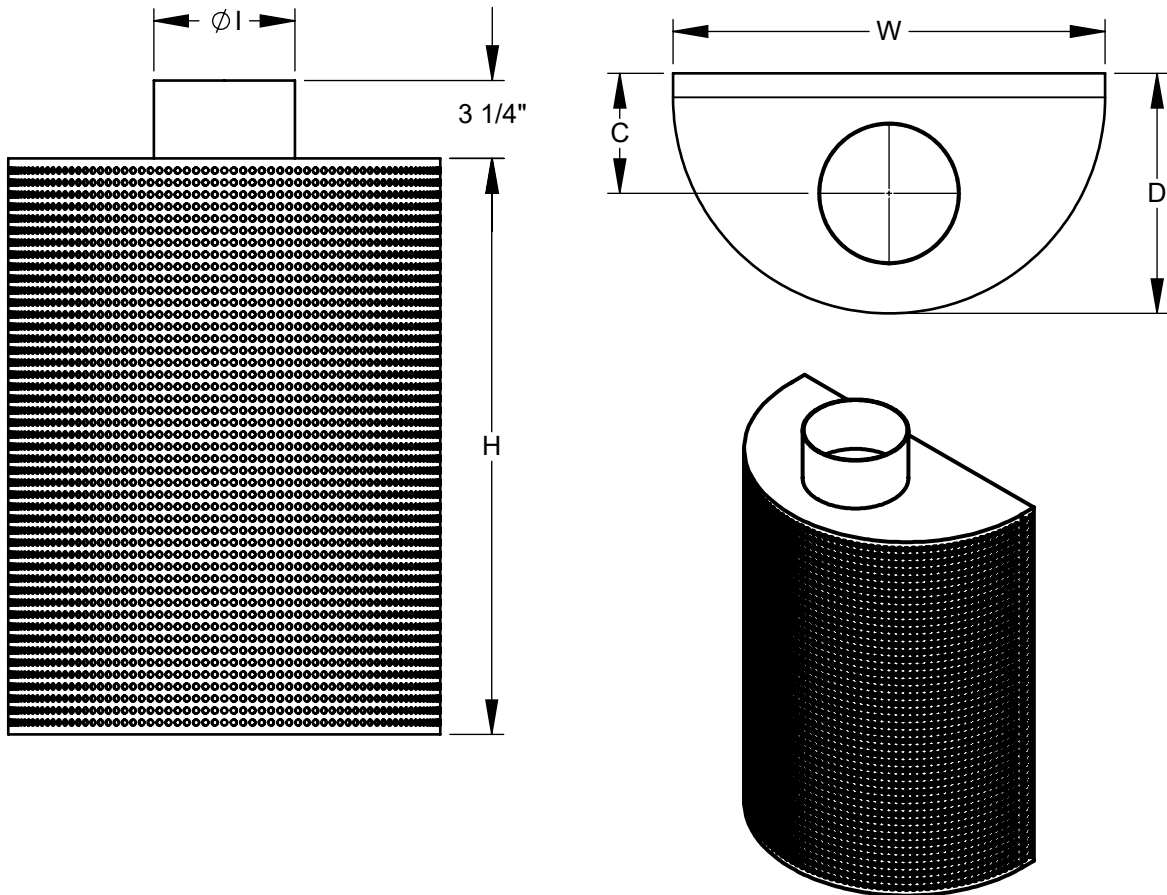




# PRODUCT DIMENSIONS

## DS180



Displacement  
ventilation

Model	Inlet Size	Nominal Unit Size	Unit Dimensions (Inches)				
			W	H	I	C	D
DS180	6	18 x 24	18	24	5 7/8	4 5/8	10 1/8
	8	24 x 24	24	24	7 7/8	5 7/8	13 1/8
	8	24 x 36	24	36	7 7/8	5 7/8	13 1/8
	10	24 x 48	24	48	9 7/8	6 1/6	13 1/8
	10	30 x 24	30	24	9 7/8	6 1/6	16 1/8
	10	30 x 36	30	36	9 7/8	7 1/8	16 1/8
	12	30 x 48	30	48	11 7/8	7 1/8	16 1/8
	12	30 x 60	30	60	11 7/8	7 5/8	16 1/8