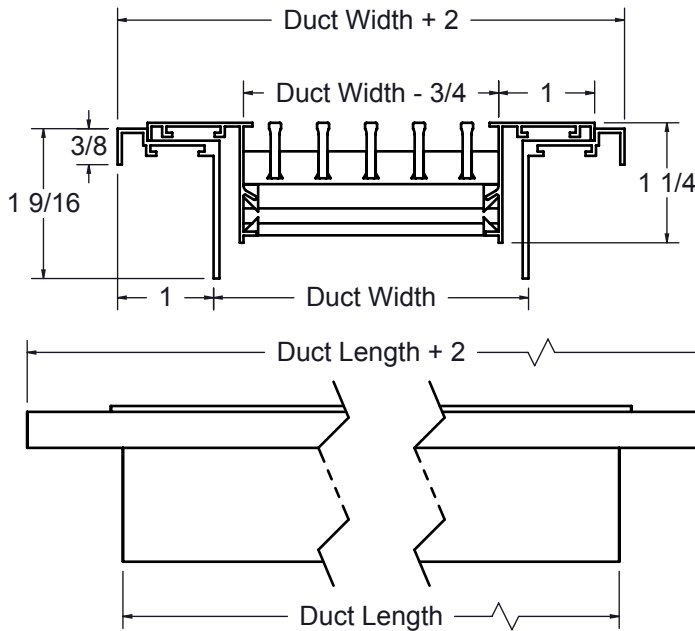


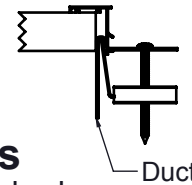
- Eight available core styles
- Extruded aluminum construction
- Size limitations are 6" x 2" minimum and 72" x 24" maximum for single piece
- Sizes available in 1/2" increments
- Core reinforcement option increases number of support bars to provide additional structural support
- Not recommended for sidewall or ceiling without concealed mounting brackets
- Standard finishes available are white (WH) and mill (ML)



Accessories

CMB - Concealed Mounting Brackets

(Not Available on Core A0/A1; max width available is 12")



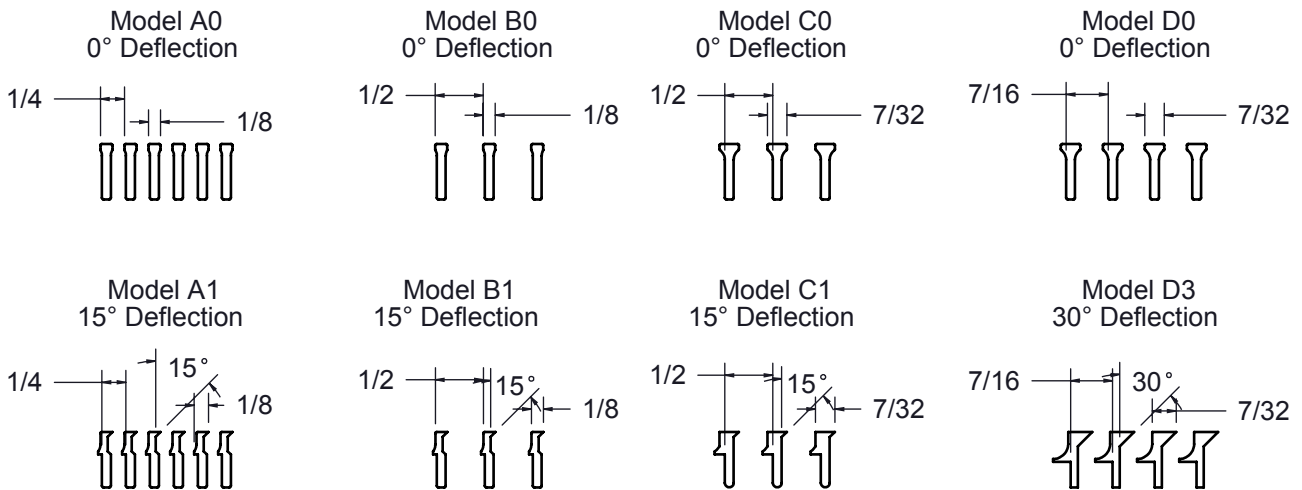
Options

Standard
Core Reinforced

Finishes

WH - White
ML - Mill
AP - Aluminum Paint
OW - Off-White
FB - Flat Black
MP - Match Paint
CA - Clear Anodized

Available Cores



Dimensions in inches

Job: _____
Location: _____
Architect: _____
Engineer: _____
Contractor: _____

Tag: _____
Submitted By: _____
SD - 2078 Rev: D (02/11)

4000 Linear Diffuser
Mounting Style 500,
1" Frame
(Requires 100 Margin)
Ceiling, Sidewall & Sill App.