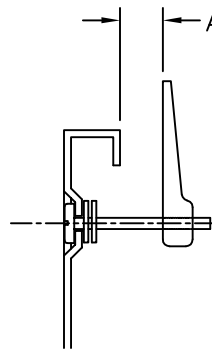
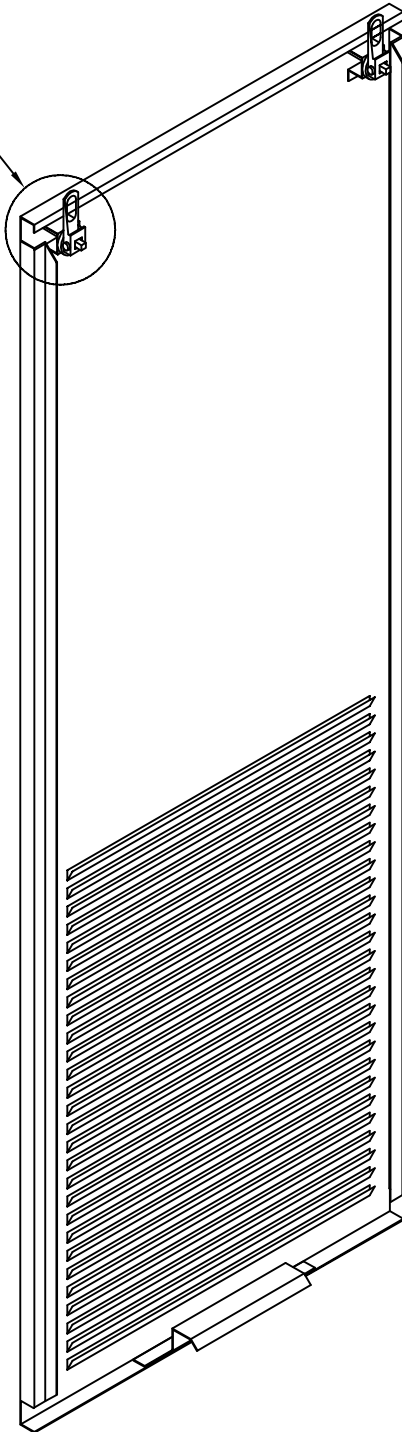


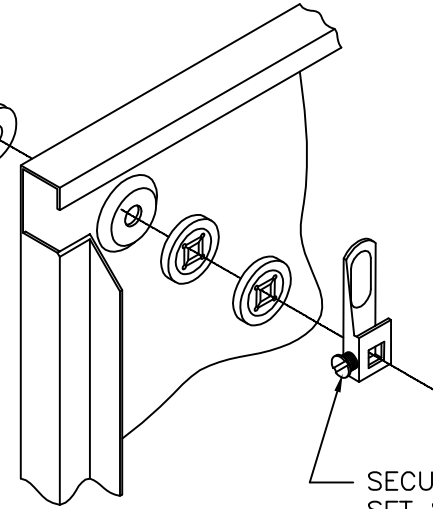
SEE DETAIL FOR LATCH ASSEMBLY CLOSE-UP



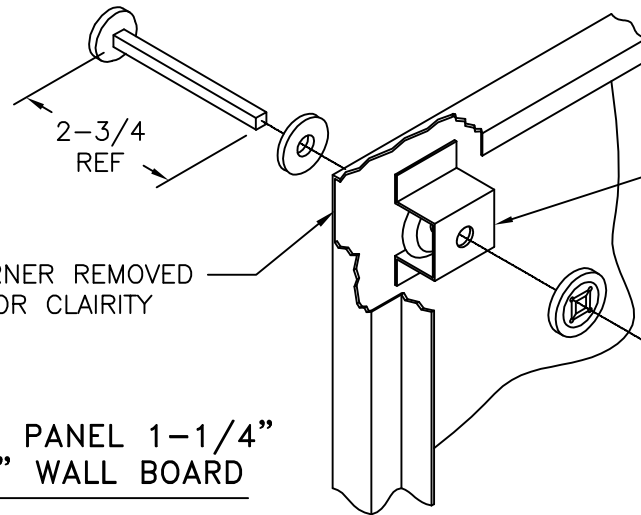
ADJUST AS REQUIRED

2" REF

**STANDARD ACCESS PANEL
5/8" WALL BOARD**



SECURE WITH SET SCREW



CORNER REMOVED FOR CLAIRITY

**ACCESS PANEL 1-1/4"
1-1/4" WALL BOARD**

LATCH SUPPORT BRACKET WELDED TO PANEL AT MFG.

SECURE WITH SET SCREW

<p>TITLE: ASSEMBLY INSTRUCTIONS RETURN PANEL WITH LATCHES, QUICK OPENING OR TAMPER PROOF MODEL VHC/VHM/VHS VERTICAL HIGH RISE FCU</p>					
<p>DRN BY: DJ</p>	<p>DATE: 4/1/03</p>	<p>SCALE: NTS</p>	<p>DRAWING NO.</p>	<p>VH-106</p>	
<p>THIS DRAWING CONTAINS PROPRIETARY DATA. UNAUTHORIZED DISCLOSURE, REPRODUCTION, OR USE IS STRICTLY PROHIBITED WITHOUT WRITTEN PERMISSION.</p>	<p>DO NOT SCALE DRAWING. DIMENSIONS AND DATA ARE SUBJECT TO CHANGE WITHOUT NOTICE. CONTACT FACTORY FOR CERTIFIED DRAWINGS.</p>			<p>CRD BY: JR</p>	<p>DATE: 4/11/03</p>