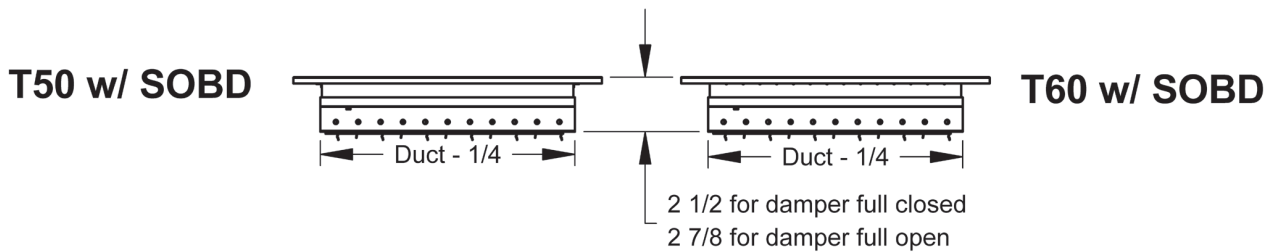
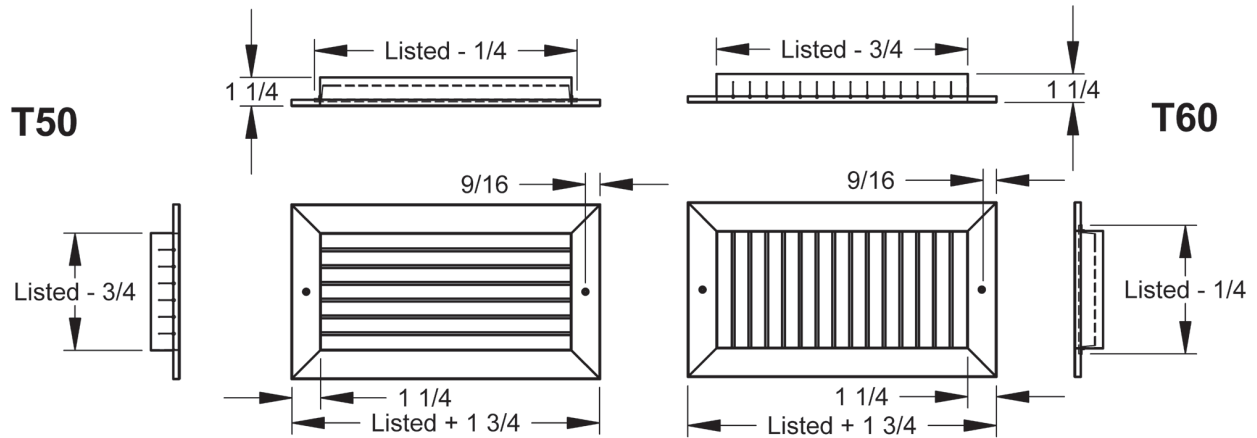


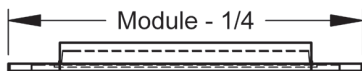


PRODUCT DIMENSIONS

T50, T60



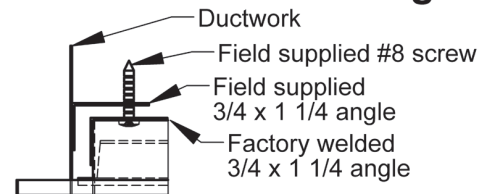
LT Margin Style



Module	*Max Neck
12x12	9x9
24x12	21x9
24x24	21x21
48x24	45x21

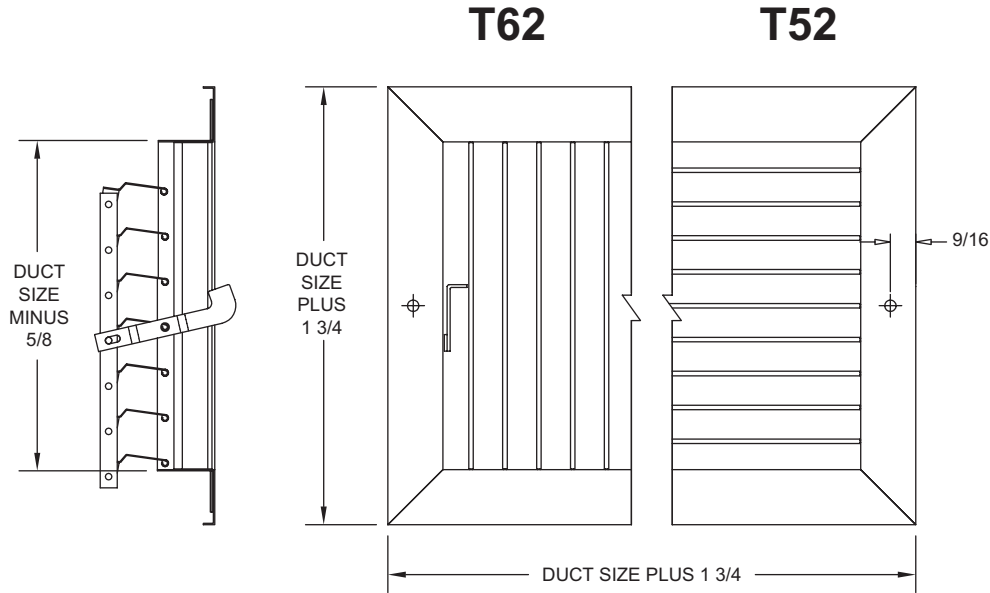
*When using a module for Lay-In T-Bar ceiling, this is the maximum neck size for specified module

Concealed Mounting

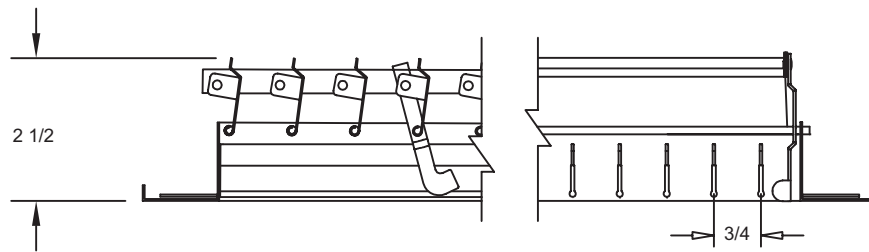


PRODUCT DIMENSIONS

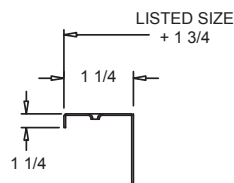
T52, T62



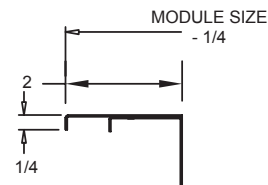
Damper Detail



SF Margin Style



LT Margin Style



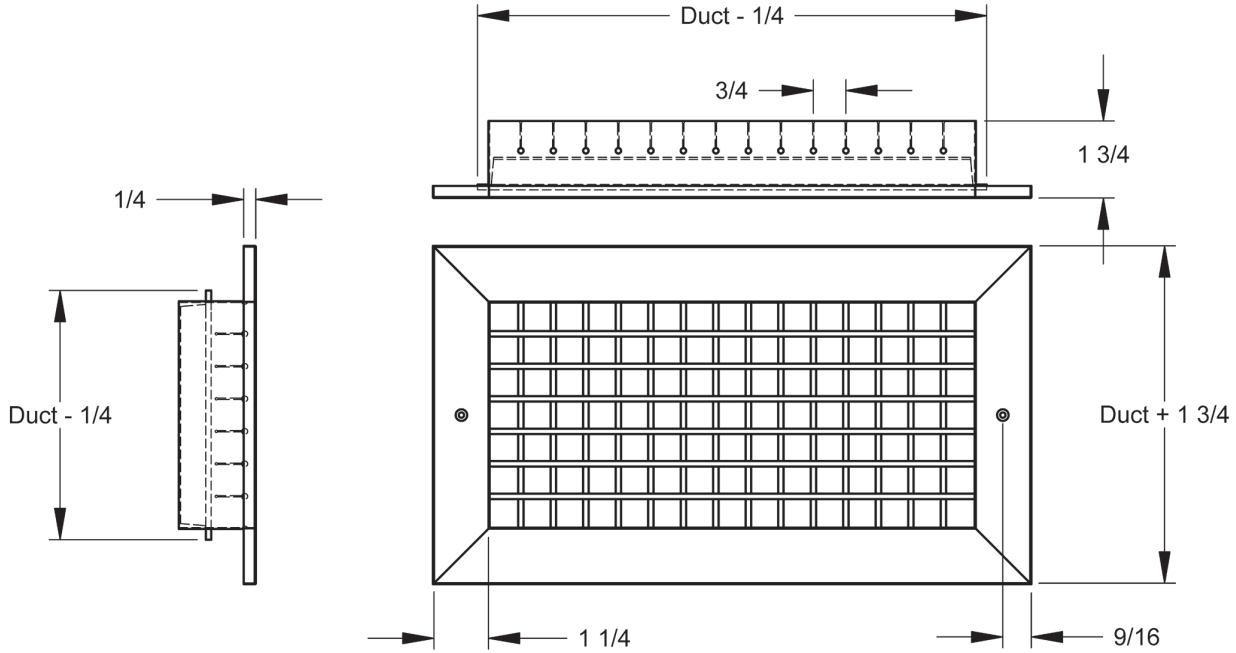
Module	*Max Neck
12x12	9x9
24x12	21x9
24x24	21x21
48x24	45x21

*When using a module for Lay-In T-Bar ceiling, this is the maximum neck size for specified module

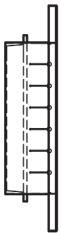


PRODUCT DIMENSIONS

T54, T64



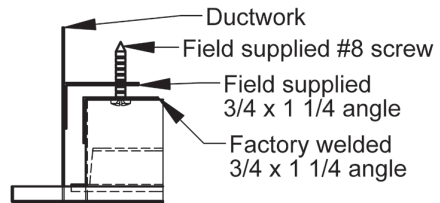
T54



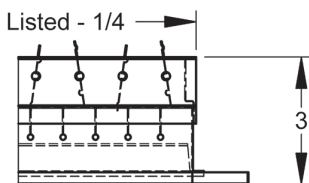
T64



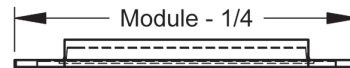
Concealed Mounting



Damper Detail



LT Margin Style



Module	*Max Neck
12x12	9x9
24x12	21x9
24x24	21x21
48x24	45x21

*When using a module for Lay-In T-Bar ceiling, this is the maximum neck size for specified module