



# DEFLECTION PATTERNS

## M-FR, MA-FR

### Deflection Patterns

1-Way



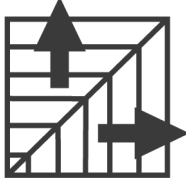
1SQ

2-Way Opposite



2SQ

2-Way Diagonal



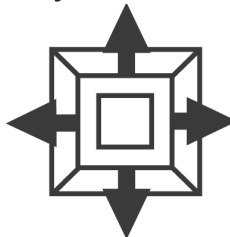
2CS

3-Way



3SQ

4-Way



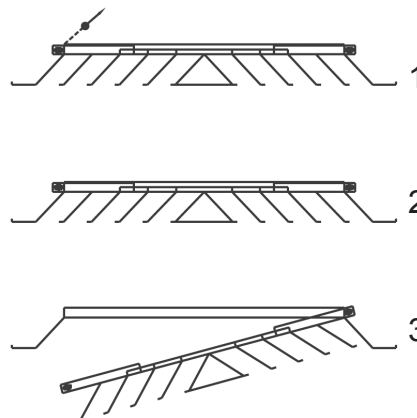
4SQ

### Notes:

- Patterns are shown in plan view (looking down into inlet).
- Louvers are spaced on 1-1/2" centers.
- The louvers have a 1/4" horizontal lip on all sides that provides a horizontal air pattern which is tight to the ceiling.

Pattern Codes	
Code	Deflection Pattern
1SQ	1-Way Square
2SQ	2-Way Square
2CS	2-Way Corner Square
3SQ	3-Way Square
4SQ	4-Way Square

### M-FR & MA-FR Series Snap-In Core Detail

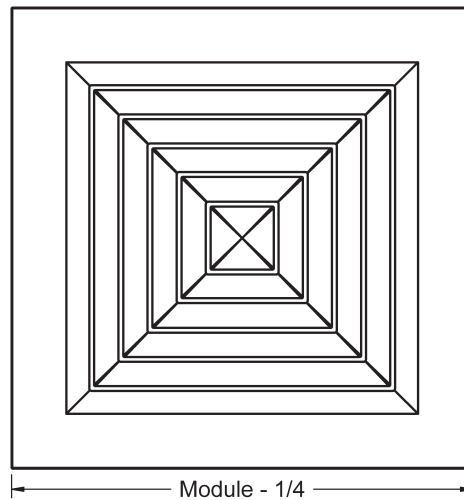
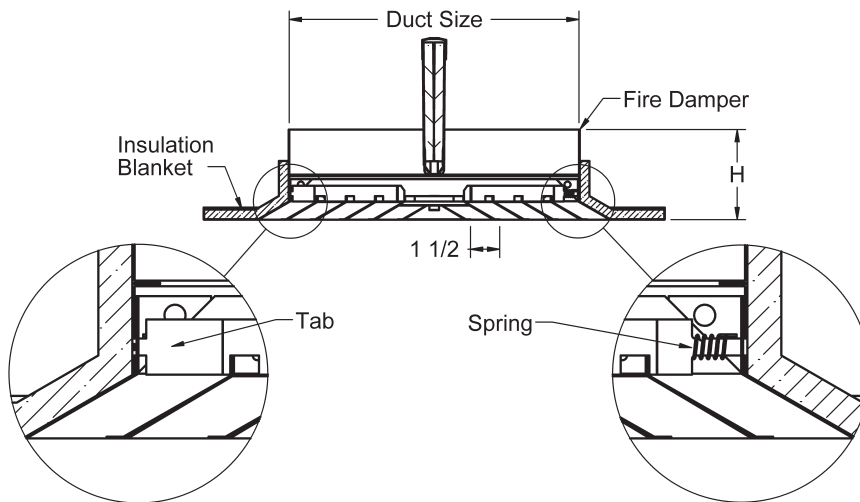


The "M" Series snap-in core is ideal where no screws are required. Core is held in place by two tabs which slide into the outer margin. The other side is secured by a positive lock arrangement. Core is easily removed by releasing lock and removing the core.

1. Remove shipping clips
2. Push core sideways
3. Hold core securely and allow core to drop down

# PRODUCT DIMENSIONS

## M-FR (LT Margin)

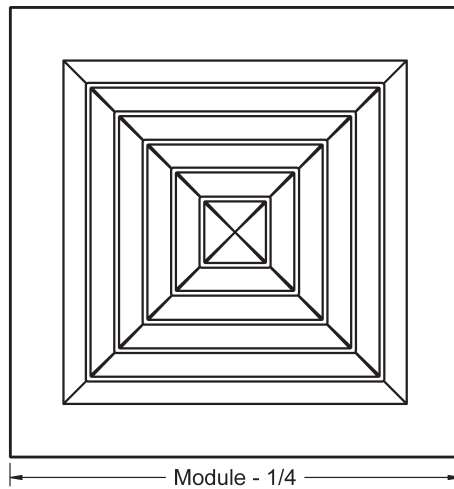
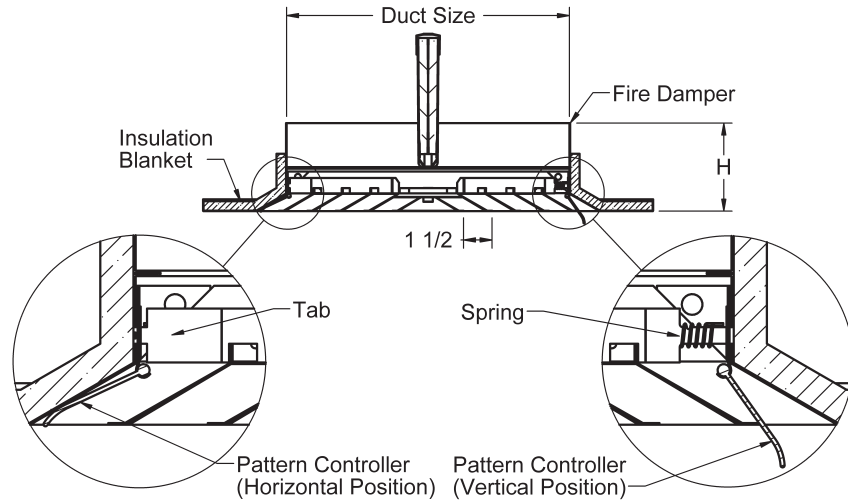


Available Sizes			
Module	Neck	Standard H	Extended Neck (Opt.) H
12x12	6x6	4-1/2	7-1/2
	9x9	4-1/2	7-1/2
24x24	6x6	4-1/2	7-1/2
	9x9	4-1/2	7-1/2
	12x12	4-1/2	9-1/2
	15x15	4-1/2	9-1/2
	18x18	4-1/2	12-1/2
	21x21	4-1/2	12-1/2



# PRODUCT DIMENSIONS

## MA-FR (LT Margin)



Available Sizes			
Module	Neck	Standard H	Extended Neck (Opt.) H
12x12	6x6	4-1/2	7-1/2
24x24	6x6	4-1/2	7-1/2
	9x9	4-1/2	7-1/2
	12x12	4-1/2	9-1/2
	15x15	4-1/2	9-1/2
	18x18	4-1/2	12-1/2