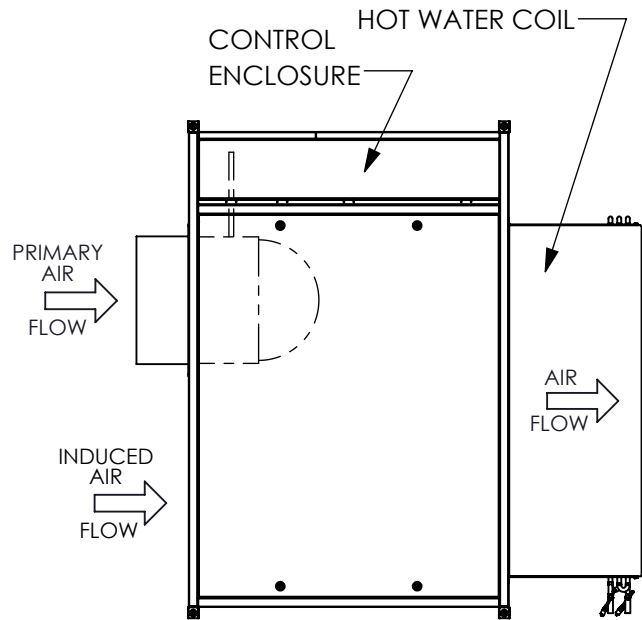
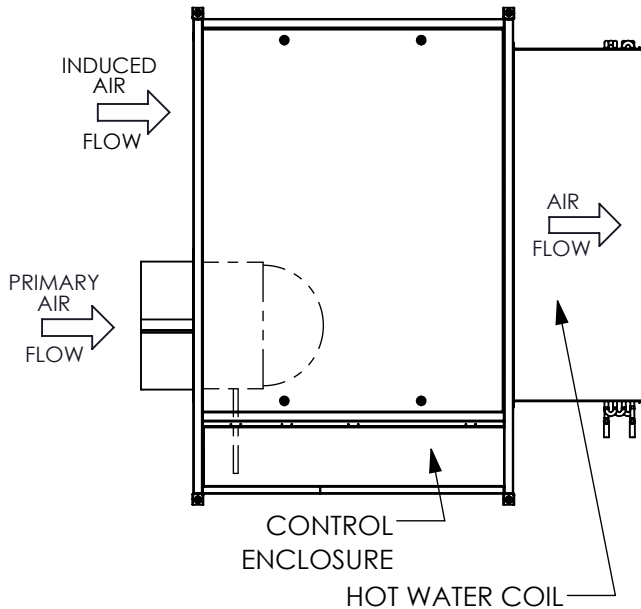


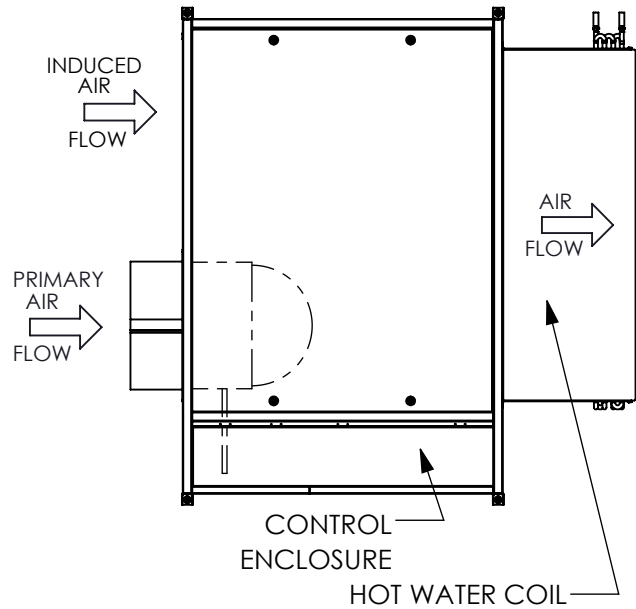
CRB 35/45
ARRANGEMENT 1
 LEFT HAND CONTROL UNIT
 LEFT HAND HW COIL



CRB 35/45
ARRANGEMENT 2
 LEFT HAND CONTROL UNIT
 RIGHT HAND HW COIL



CRB 35/45
ARRANGEMENT 3
 RIGHT HAND CONTROL UNIT
 RIGHT HAND HW COIL



CRB 35/45
ARRANGEMENT 4
 RIGHT HAND CONTROL UNIT
 LEFT HAND HW COIL

NOTES:

1. ELECTRIC HEAT CONTROL ENCLOSURE IS ON THE SAME SIDE AS STANDARD CONTROL ENCLOSURE.
2. ELECTRIC HEAT ONLY AVAILABLE ON ARRANGEMENTS 1 AND 3.
3. ELECTRIC HEAT NOT AVAILABLE WITH HW COIL.

UNCONTROLLED WHEN PRINTED



SUBMITTAL DRAWING
 ALL DRAWINGS ARE SUBJECT TO CHANGE
 WITHOUT PRIOR NOTICE

TITLE: **MODEL CRB 35/45 ARRANGEMENTS**
STANDARD ENCLOSURE

DO NOT SCALE DRAWING
 DIMENSIONS ARE IN INCH (MM) FORMAT
 +/- 1/8 (3) UNLESS OTHERWISE NOTED

DATE
 11/08/21

SHEET
 PAGE 1 OF 1

DRAWING NO
 10-80104

REV
 A