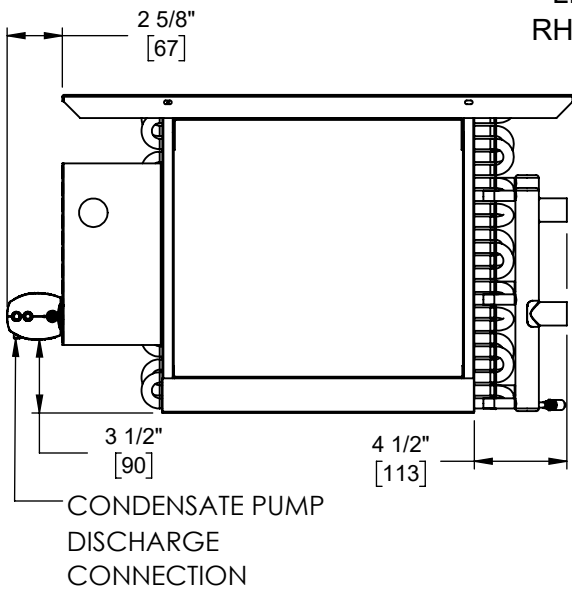


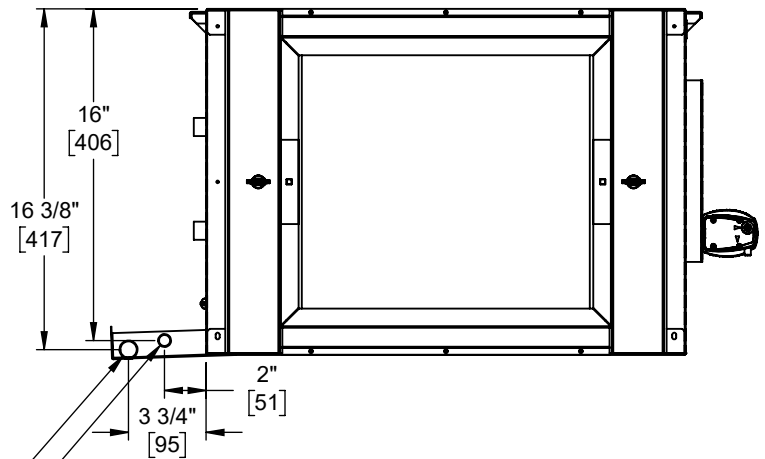
**2-PIPE - SIDE VIEW**

LH SHOWN  
RH OPPOSITE



**2-PIPE - FRONT VIEW**

LH SHOWN  
RH OPPOSITE



**DRAIN LOCATIONS - BACK VIEW**

LH SHOWN  
RH OPPOSITE

AUX DRAIN OUTLET  
(SEE NOTE 6)

MAIN DRAIN OUTLET  
(SEE NOTE 5)

Unit Type	Coil Rows	A (1/2" $\phi$ Coil)	A (3/8" $\phi$ Coil)
2 Pipe Heating	1	1-1/8" [29] $\triangle$	7/8" [22] $\triangle$
	2	1-1/8" [29]	7/8" [22]
	3	2-1/8" [54]	1-3/4" [44]
	4	3-1/4" [83]	2-5/8" [67]
2 Pipe Cooling	3	2-1/8" [54]	1-3/4" [44]
	4	3-1/4" [83]	2-5/8" [67]
	6	5-3/8" [137]	4-3/8" [86]

**NOTES:**

- All dimensions are inches [millimeters]  
All dimensions  $\pm 1/2$  [13mm].  
Metric values are soft conversion.
- All drawings subject to change without notice.
- Model "HPP" unit shown, typical for model "HPF" units.  
Connections shown are internal on "HPE" units.
- Connection Size: See 82-80053 Coil Connections.
- Standard externally foam coated galvanize steel drain pan has 7/8" ODM copper outlet.  
Stainless steel drain pan has 3/4" MPT galvanize steel outlet.
- Aux. drain outlet is 5/8" ODM copper or 3/8" MPT galvanized steel respectively.
- Single Row/Single Circuit headers are vertical  
(Horizontal Distance is 0")

UNCONTROLLED WHEN PRINTED



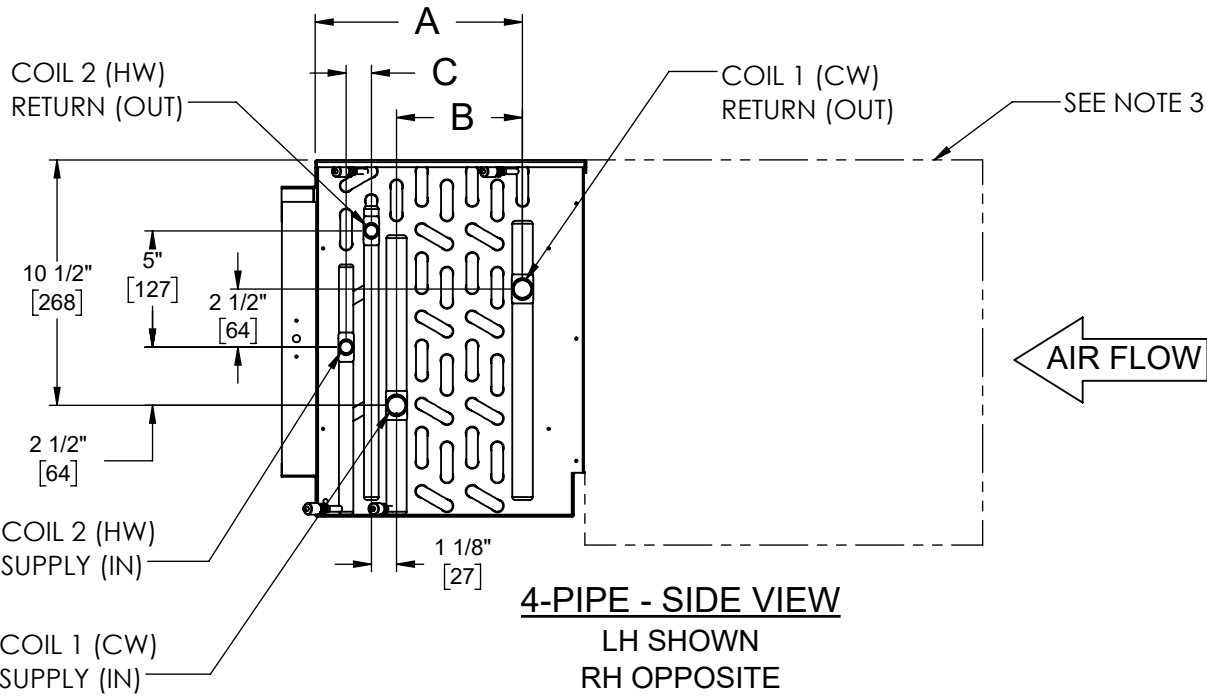
THIS DRAWING CONTAINS PROPRIETARY DATA. UNAUTHORIZED DISCLOSURE, REPRODUCTION, OR USE IS STRICTLY PROHIBITED WITHOUT WRITTEN PERMISSION.

**SUBMITTAL DRAWING**  
ALL DRAWINGS ARE SUBJECT TO CHANGE WITHOUT PRIOR NOTICE

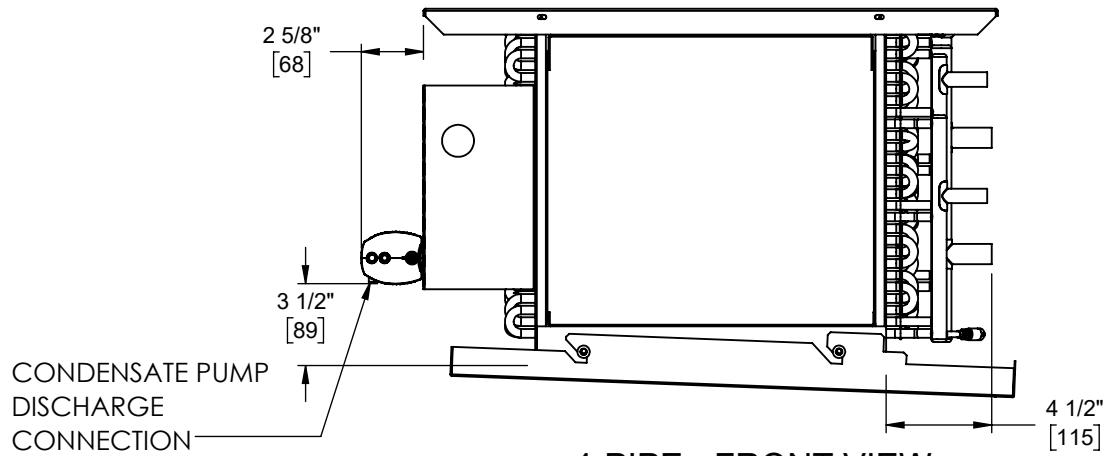
TITLE: **FIELD CONNECTIONS HPP/HPF**

**DO NOT SCALE DRAWING**  
DIMENSIONS ARE IN INCH (MM) FORMAT  
+/- 1/8 (3) UNLESS OTHERWISE NOTED

DATE	SHEET	DRAWING NO	REV
3/24/22	PAGE 1 OF 5	82-80047	B



**4-PIPE - SIDE VIEW**  
LH SHOWN  
RH OPPOSITE



**4-PIPE - FRONT VIEW**  
LH SHOWN  
RH OPPOSITE

**Unit Type: 4 Pipe Re-Heat**

Coil 1 CW Rows	Coil 2 HW Rows	1/2" Coil $\phi$		
		A	B	C
3	1	6-3/4" [171]	1-5/8" [143]	1-1/4" [32] $\triangle$
3	2	6-3/4" [171]	1-7/8" [48]	1-1/8" [29]
3	3	6-3/4" [171]	2" [51]	2-1/4" [57]
4	1	6-3/4" [171]	3" [76]	1-1/4" [32] $\triangle$
4	2	6-3/4" [171]	3" [76]	1-1/8" [29]
3	4	8-7/8" [225]	2" [51]	3-1/4" [83]
4	3	8-7/8" [225]	3-1/4" [83]	2" [51]
4	4	8-7/8" [225]	3-1/4" [83]	3-1/4" [83]
6	1	8-7/8" [225]	5" [127]	1-1/8" [29] $\triangle$
6	2	8-7/8" [225]	5-1/4" [133]	1-1/8" [29]

- NOTES:**
- All dimensions are inches [millimeters]  
All dimensions  $\pm 1/2$  [13mm].  
Metric values are soft conversion.
  - All drawings subject to change without notice.
  - Model "HPP" unit shown, typical for model "HPF" units.  
Connections shown are internal on "HPE" units.
  - Connection Size: See 82-80053 Coil Connections.
  - Standard externally foam coated galvanize steel drain pan has 7/8" ODM copper outlet.  
Stainless steel drain pan has 3/4" MPT galvanize steel outlet.
  - Aux. drain outlet is 5/8" ODM copper or 3/8" MPT galvanized steel respectively.
  - Single Row/Single Circuit headers are vertical  
(Horizontal Distance is 0")

UNCONTROLLED WHEN PRINTED



THIS DRAWING CONTAINS PROPRIETARY DATA. UNAUTHORIZED DISCLOSURE, REPRODUCTION, OR USE IS STRICTLY PROHIBITED WITHOUT WRITTEN PERMISSION.

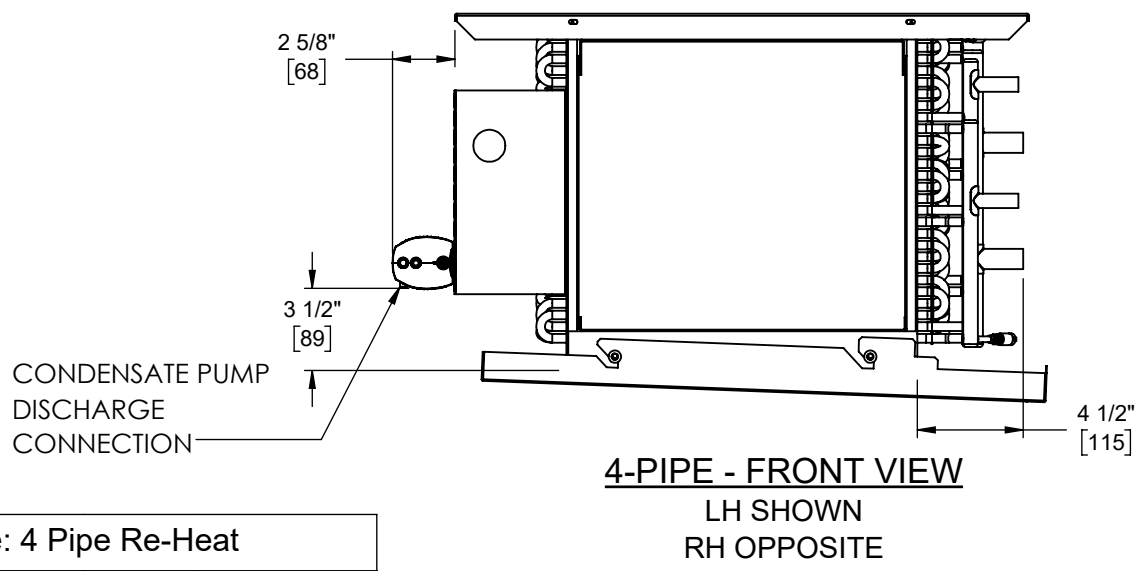
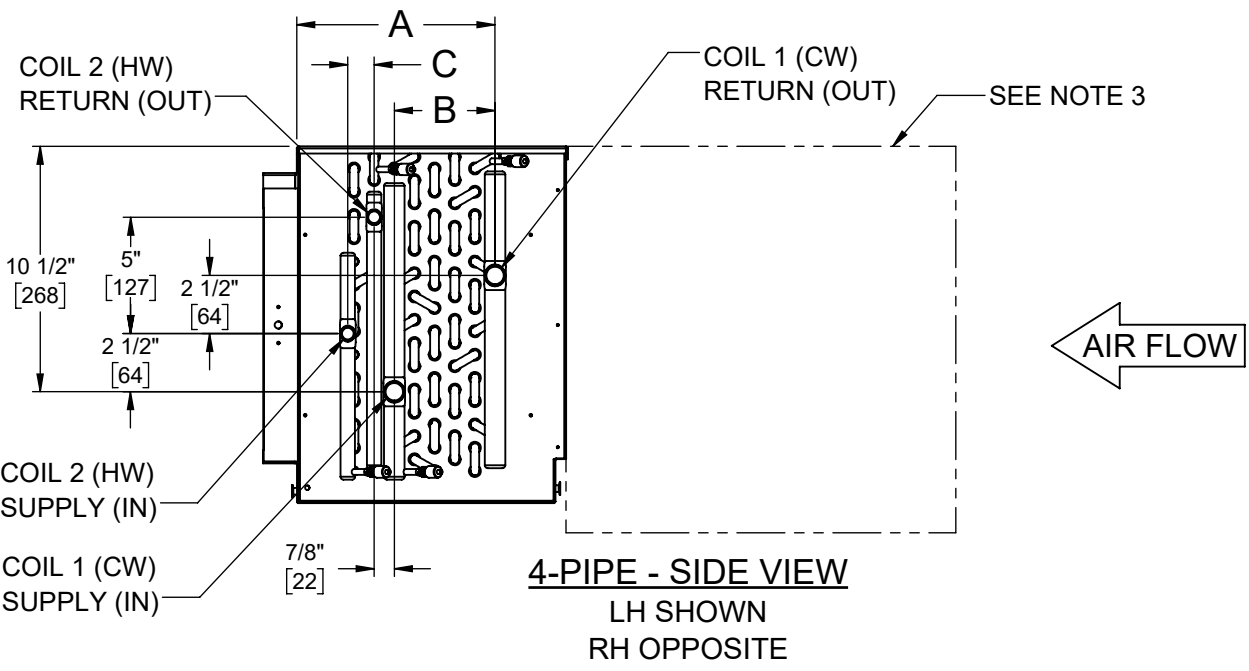
**SUBMITTAL DRAWING**  
ALL DRAWINGS ARE SUBJECT TO CHANGE WITHOUT PRIOR NOTICE

TITLE: **FIELD CONNECTION HPP/HPF**

**DO NOT SCALE DRAWING**  
DIMENSIONS ARE IN INCH (MM) FORMAT  
+/- 1/8 (3) UNLESS OTHERWISE NOTED

DATE	SHEET	DRAWING NO	REV
3/24/22	PAGE 2 OF 5	82-80047	B

UNCONTROLLED WHEN PRINTED

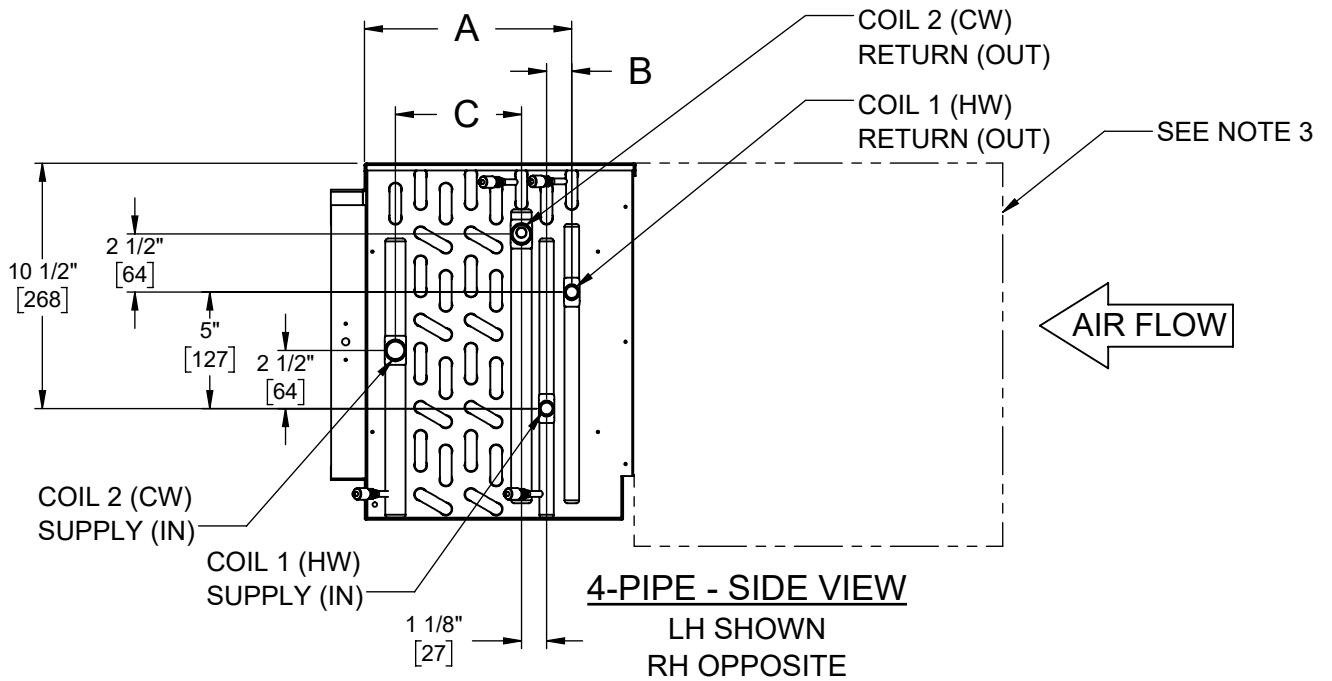


Unit Type: 4 Pipe Re-Heat				
Coil 1 CW Rows	Coil 2 HW Rows	3/8" Coil $\phi$		
		A	B	C
3	1	6-3/4" [171]	1-1/2" [38]	1" [25] $\triangle$
3	2	6-3/4" [171]	1-3/8" [35]	1" [25]
3	3	6-3/4" [171]	1-3/4" [44]	1-1/2" [38]
4	1	6-3/4" [171]	1-3/4" [44]	1" [25] $\triangle$
4	2	6-3/4" [171]	2-1/4" [57]	1" [25]
3	4	8-1/2" [216]	1-1/2" [38]	2-5/8" [67]
4	3	8-1/2" [216]	2-5/8" [67]	1-1/2" [38]
4	4	8-1/2" [216]	2-5/8" [67]	2-1/4" [57]
6	1	8-1/2" [216]	3-1/2" [89]	1" [25] $\triangle$
6	2	8-1/2" [216]	4" [102]	1" [25]

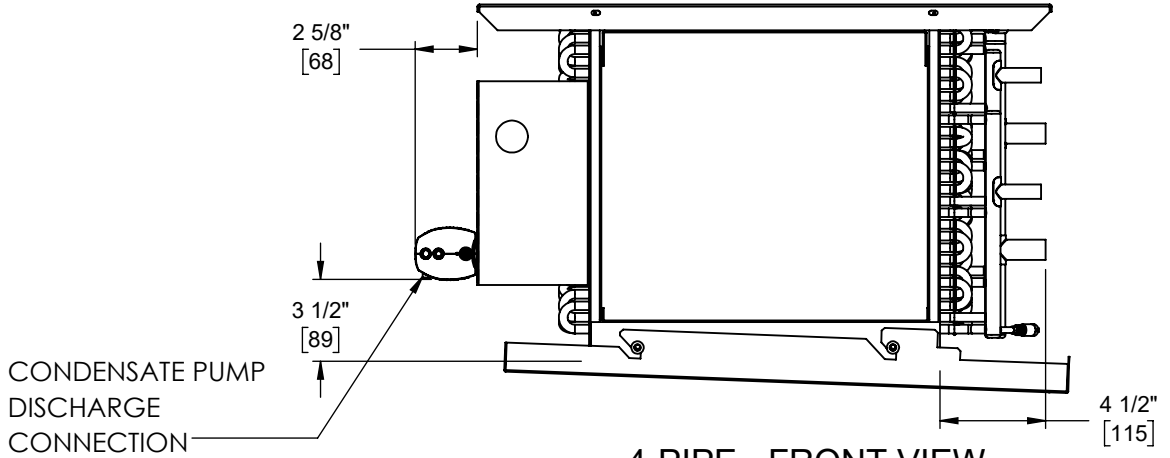
- NOTES:**
- All dimensions are inches [millimeters]  
All dimensions  $\pm 1/2$  [13mm].  
Metric values are soft conversion.
  - All drawings subject to change without notice.
  - Model "HPP" unit shown, typical for model "HPF" units.  
Connections shown are internal on "HPE" units.
  - Connection Size: See 82-80053 Coil Connections.
  - Standard externally foam coated galvanize steel drain pan has 7/8" ODM copper outlet.  
Stainless steel drain pan has 3/4" MPT galvanize steel outlet.
  - Aux. drain outlet is 5/8" ODM copper or 3/8" MPT galvanized steel respectively.
  - Single Row/Single Circuit headers are vertical  
(Horizontal Distance is 0")

UNCONTROLLED WHEN PRINTED

<p>THIS DRAWING CONTAINS PROPRIETARY DATA. UNAUTHORIZED DISCLOSURE, REPRODUCTION, OR USE IS STRICTLY PROHIBITED WITHOUT WRITTEN PERMISSION.</p>	<b>SUBMITTAL DRAWING</b> ALL DRAWINGS ARE SUBJECT TO CHANGE WITHOUT PRIOR NOTICE		TITLE: <b>FIELD CONNECTION HPP/HPF</b>		
	<b>DO NOT SCALE DRAWING</b> DIMENSIONS ARE IN INCH (MM) FORMAT +/- 1/8 [3] UNLESS OTHERWISE NOTED	DATE 3/24/22	SHEET PAGE 3 OF 5	DRAWING NO 82-80047	REV B



**4-PIPE - SIDE VIEW**  
LH SHOWN  
RH OPPOSITE



**4-PIPE - FRONT VIEW**  
LH SHOWN  
RH OPPOSITE

**Unit Type: 4 Pipe Pre-Heat**

Coil 1 HW Rows	Coil 2 CW Rows	1/2" Coil $\phi$		
		A	B	C
1	3	7-5/8" [194]	1-1/8" [29] $\triangle$	1-5/8" [41]
1	4	7-5/8" [194]	1-1/8" [29] $\triangle$	2-1/2" [64]
2	3	6-3/4" [171]	1-1/8" [29]	2-1/8" [54]
2	4	6-3/4" [171]	1-1/8" [29]	3-1/8" [79]
3	3	6-3/4" [171]	2-1/8" [54]	2" [51]
1	6	9-5/8" [244]	1-1/8" [29] $\triangle$	4-3/4" [121]
2	6	8-7/8" [225]	1-1/8" [29]	5-1/4" [133]
3	4	8-7/8" [225]	2-1/8" [54]	3-1/8" [79]
4	3	8-7/8" [225]	3-1/4" [83]	2-1/8" [54]
4	4	8-7/8" [225]	3-1/4" [83]	3-1/8" [79]

**NOTES:**

- All dimensions are inches [millimeters]  
All dimensions  $\pm 1/2$  [13mm].  
Metric values are soft conversion.
- All drawings subject to change without notice.
- Model "HPP" unit shown, typical for model "HPF" units.  
Connections shown are internal on "HPE" units.
- Connection Size: See 82-80053 Coil Connections.
- Standard externally foam coated galvanize steel drain pan has 7/8" ODM copper outlet.  
Stainless steel drain pan has 3/4" MPT galvanize steel outlet.
- Aux. drain outlet is 5/8" ODM copper or 3/8" MPT galvanized steel respectively.
- Single Row/Single Circuit headers are vertical  
(Horizontal Distance is 0")

UNCONTROLLED WHEN PRINTED



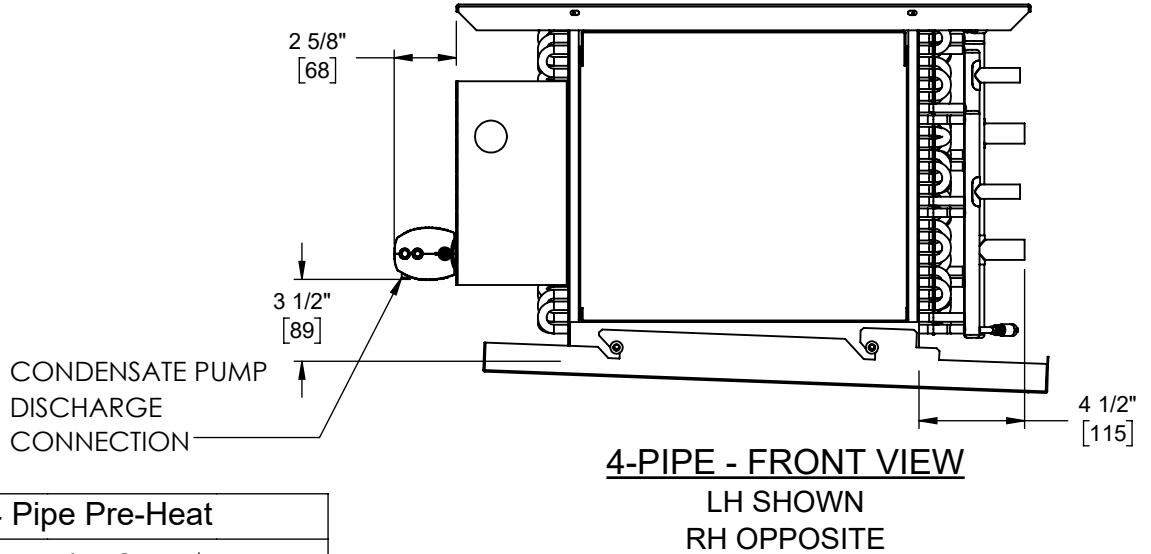
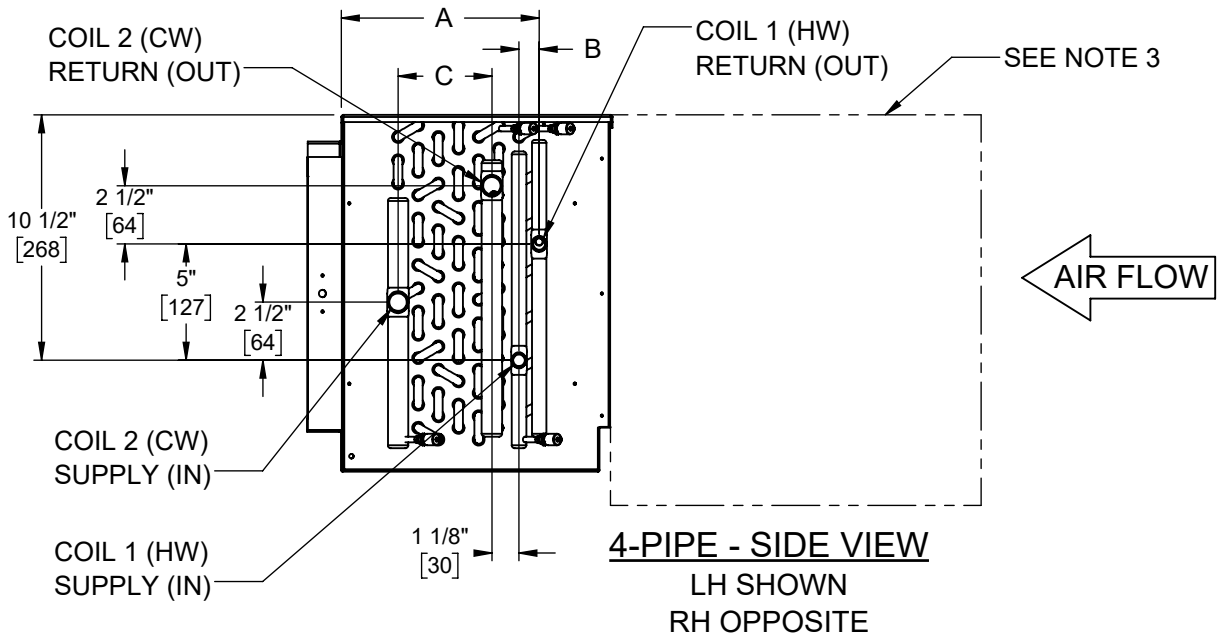
THIS DRAWING CONTAINS PROPRIETARY DATA. UNAUTHORIZED DISCLOSURE, REPRODUCTION, OR USE IS STRICTLY PROHIBITED WITHOUT WRITTEN PERMISSION.

**SUBMITTAL DRAWING**  
ALL DRAWINGS ARE SUBJECT TO CHANGE WITHOUT PRIOR NOTICE

TITLE: **FIELD CONNECTIONS HPP/HPF**

**DO NOT SCALE DRAWING**  
DIMENSIONS ARE IN INCH (MM) FORMAT  
+/- 1/8 (3) UNLESS OTHERWISE NOTED

DATE	SHEET	DRAWING NO	REV
03/24/22	PAGE 4 OF 5	82-80047	B



**Unit Type: 4 Pipe Pre-Heat**

Coil 1 HW Rows	Coil 2 CW Rows	3/8" Coil $\phi$		
		A	B	C
1	3	7-1/2" [191]	1" [25] $\triangle$	1-1/2" [38]
1	4	7-1/2" [191]	1" [25] $\triangle$	1-3/4" [44]
2	3	6-3/4" [171]	1" [25]	1-1/2" [38]
2	4	6-3/4" [171]	1" [25]	2" [51]
3	3	6-3/4" [171]	1-3/4" [XX]	1-1/2" [38]
1	6	9-1/4" [235]	1" [25] $\triangle$	3-1/2" [89]
2	6	8-1/2" [216]	1" [25]	3-3/4" [95]
3	4	8-1/2" [216]	1-3/4" [44]	2-1/4" [57]
4	3	8-1/2" [216]	2-5/8" [67]	1-1/2" [38]
4	4	8-1/2" [216]	2-5/8" [67]	2-1/4" [57]

**NOTES:**

- All dimensions are inches [millimeters]  
All dimensions  $\pm 1/2$  [13mm].  
Metric values are soft conversion.
- All drawings subject to change without notice.
- Model "HPP" unit shown, typical for model "HPF" units.  
Connections shown are internal on "HPE" units.
- Connection Size: See 82-80053 Coil Connections.
- Standard externally foam coated galvanize steel drain pan has 7/8" ODM copper outlet.  
Stainless steel drain pan has 3/4" MPT galvanize steel outlet.
- Aux. drain outlet is 5/8" ODM copper or 3/8" MPT galvanized steel respectively.
- Single Row/Single Circuit headers are vertical  
(Horizontal Distance is 0")

UNCONTROLLED WHEN PRINTED



THIS DRAWING CONTAINS PROPRIETARY DATA. UNAUTHORIZED DISCLOSURE, REPRODUCTION, OR USE IS STRICTLY PROHIBITED WITHOUT WRITTEN PERMISSION.

**SUBMITTAL DRAWING**  
ALL DRAWINGS ARE SUBJECT TO CHANGE WITHOUT PRIOR NOTICE

TITLE: **FIELD CONNECTIONS HPP/HPF**

**DO NOT SCALE DRAWING**  
DIMENSIONS ARE IN INCH (MM) FORMAT  
+/- 1/8 (3) UNLESS OTHERWISE NOTED

DATE	SHEET	DRAWING NO	REV
3/24/22	PAGE 5 OF 5	82-80047	B