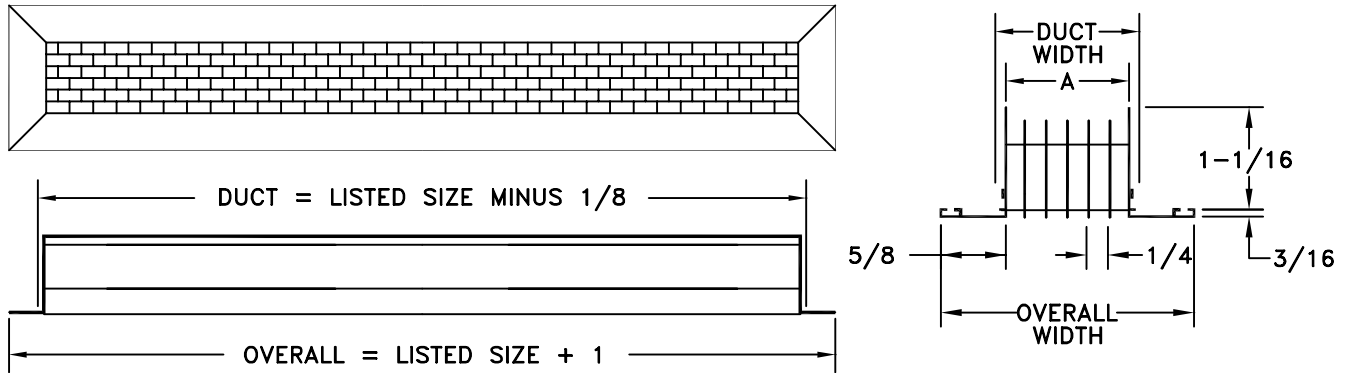


- AIR DIFFUSION VANES AT COUNTERFLOW ANGLES CREATE TURBULENT DISCHARGE FOR HIGH INDUCTION AND RAPID TEMPERATURE EQUALIZATION.
- EXTRUDED ALUMINUM CONSTRUCTION.
- MAXIMUM ONE PIECE LENGTH = 72" LISTED SIZE.
- MULTIPLE SECTIONS KEYED WITH SPLICE PLATES FOR PROPER ALIGNMENT.
- AVAILABLE WITH 2 TO 16 ROWS IN 2 ROW INCREMENTS FOR LARGER CONFIGURATIONS CONTACT FACTORY.
- CORES EASILY REMOVED FROM PF OR PFS FRAMES, FRAME INSTALLATION/ALIGNMENT SPACERS PROVIDED.
- SATIN ANODIZED (SA) OR WHITE (W) FINISH.

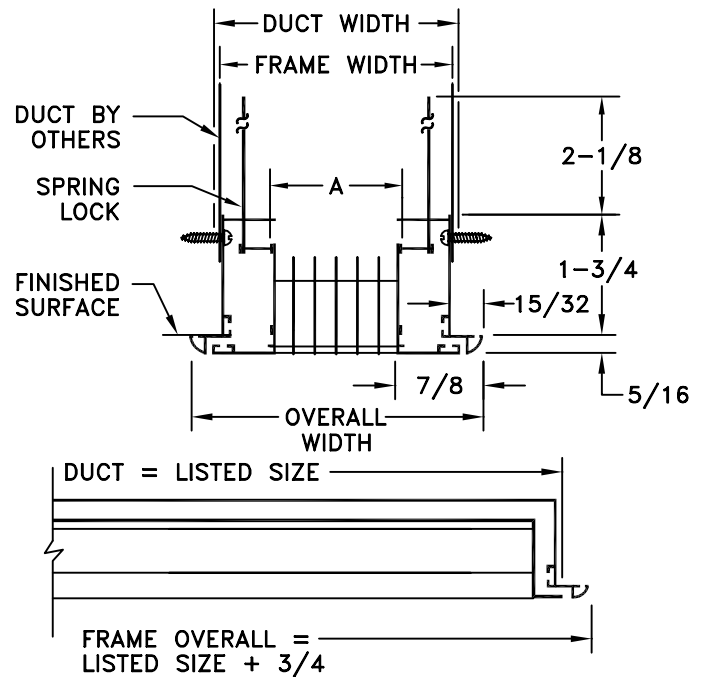
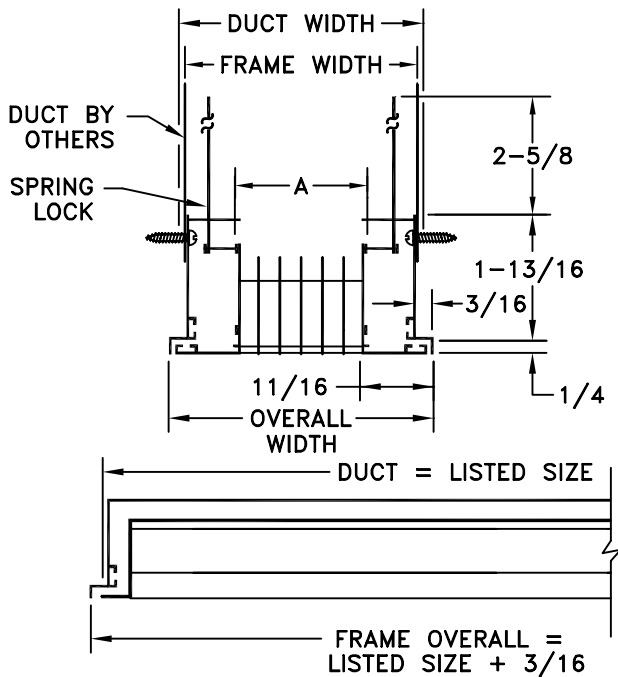
EF DIFFUSER ONLY *



DIMENSION	NUMBER OF ROWS								DUCT WIDTH	FRAME WIDTH	OVERALL WIDTH
	2	4	6	8	10	12	14	16			
A	13/16	1-5/16	1-13/16	2-5/16	2-13/16	3-5/16	3-13/16	4-5/16	A+1/8	A+3/16	A+1-1/8

EF DIFFUSER WITH PF FRAME *

EF DIFFUSER WITH PFS FRAME *



DIM	NUMBER OF ROWS								DUCT WIDTH	FRAME OPENING	OVERALL WIDTH	
	2	4	6	8	10	12	14	16			PF FRAME	PFS FRAME
A	13/16	1-5/16	1-13/16	2-5/16	2-13/16	3-5/16	3-13/16	4-5/16	A+7/8	A+13/16	A+1-3/16	A+1-3/4

* SIX ROWS SHOWN.

JOB NAME: _____	SUBMITTED BY: _____	DATE: 10/31/96	SD-1522
LOCATION: _____		<p>EF-STRIPLINE Extruded Aluminum Linear Diffuser</p>	
ARCHITECT: _____			
ENGINEER: _____			
CONTRACTOR: _____			