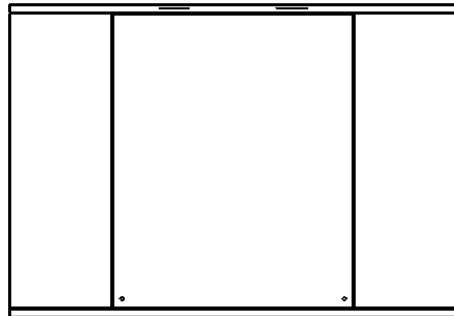


FRONT VIEW
TRAP DOOR OPENED 1" [25]



RIGHT VIEW
TRAP DOOR OPENED 1" [25]



BOTTOM VIEW
TRAP DOOR OPENED 1" [25]

UNCONTROLLED WHEN PRINTED



THIS DRAWING CONTAINS PROPRIETARY DATA. UNAUTHORIZED DISCLOSURE, REPRODUCTION, OR USE IS STRICTLY PROHIBITED WITHOUT WRITTEN PERMISSION.

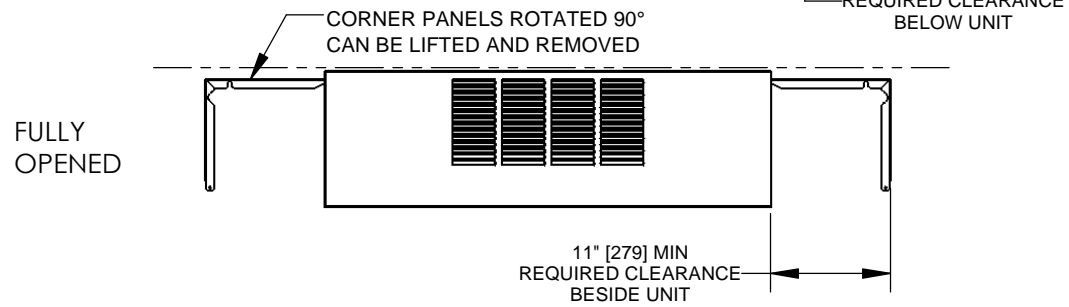
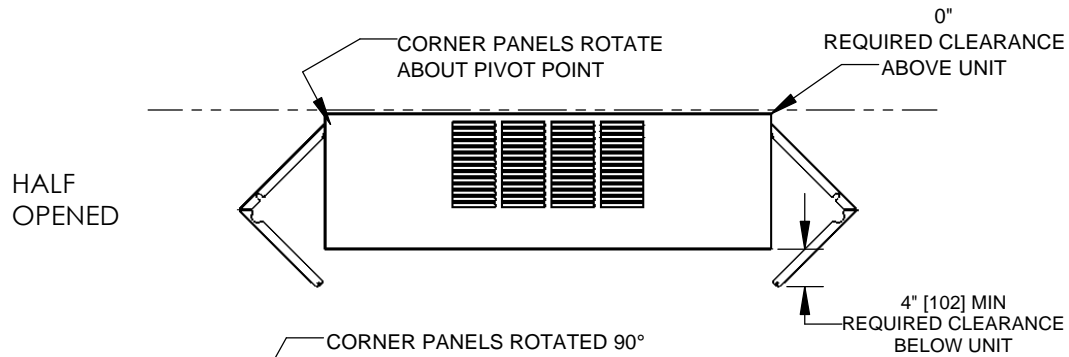
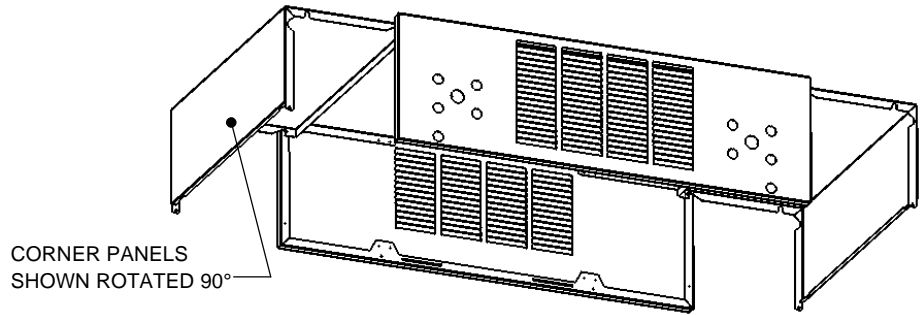
SUBMITTAL DRAWING
ALL DRAWINGS ARE SUBJECT TO CHANGE WITHOUT PRIOR NOTICE

DO NOT SCALE DRAWING
DIMENSIONS ARE IN INCH (MM) FORMAT 1/8" (3) UNLESS OTHERWISE NOTED

TITLE:
**MODEL HLE EXPOSED FAN COIL UNIT
SERIES D SERVICE ENVELOPE**

DATE	SHEET	DRAWING NO	REV
4/7/16	PAGE 1 OF 4	47-80118	00

HEIGHT RESTRICTED APPLICATION



UNCONTROLLED WHEN PRINTED



THIS DRAWING CONTAINS PROPRIETARY DATA. UNAUTHORIZED DISCLOSURE, REPRODUCTION, OR USE IS STRICTLY PROHIBITED WITHOUT WRITTEN PERMISSION.

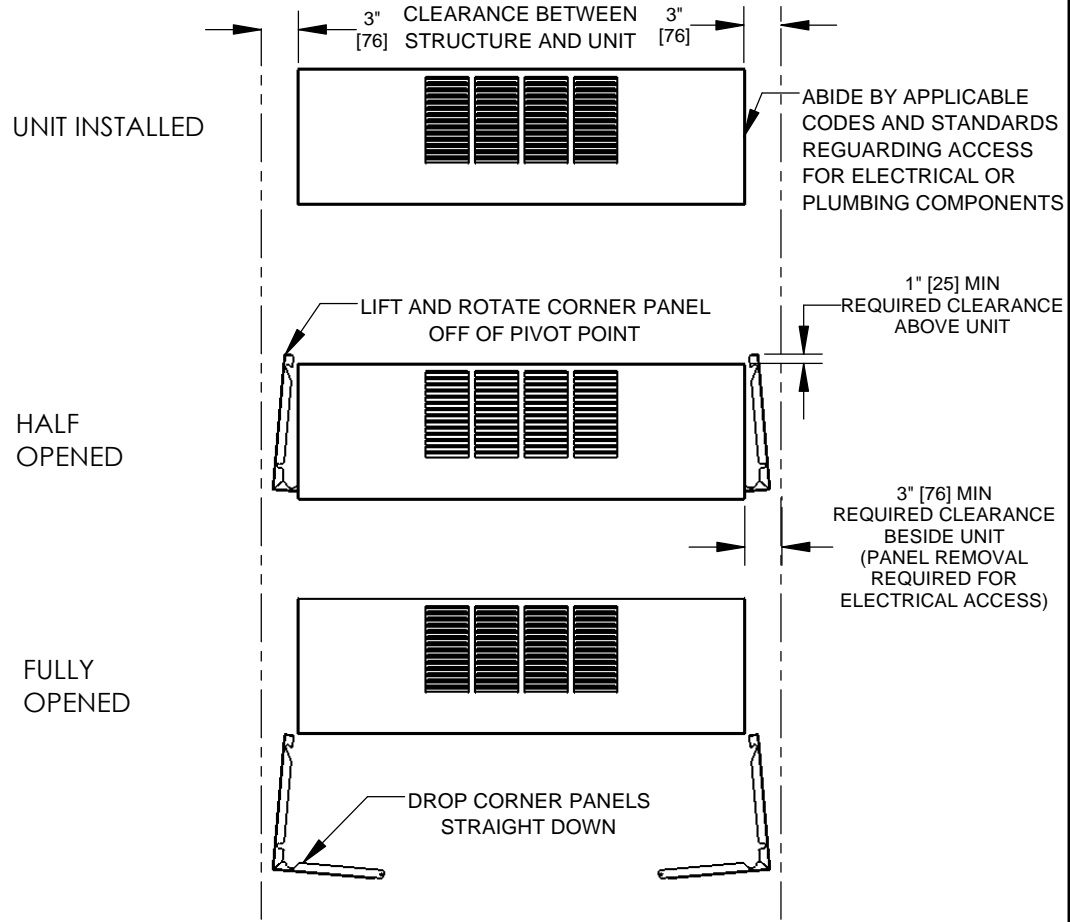
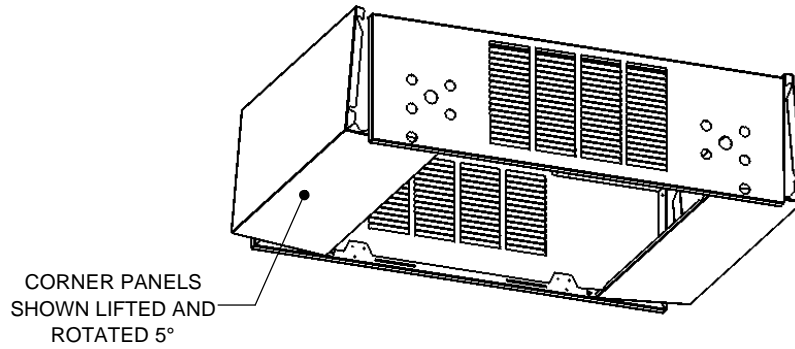
SUBMITTAL DRAWING
ALL DRAWINGS ARE SUBJECT TO CHANGE WITHOUT PRIOR NOTICE

DO NOT SCALE DRAWING
DIMENSIONS ARE IN INCH (MM) FORMAT
1/8" (3) UNLESS OTHERWISE NOTED

TITLE: **MODEL HLE EXPOSED FAN COIL UNIT
SERIES D SERVICE ENVELOPE**

DATE	SHEET	DRAWING NO	REV
4/7/16	PAGE 2 OF 4	47-80118	00

WIDTH RESTRICTED APPLICATION



UNCONTROLLED WHEN PRINTED



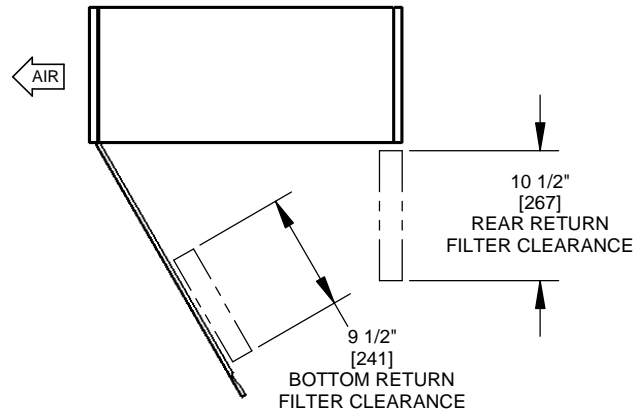
THIS DRAWING CONTAINS PROPRIETARY DATA. UNAUTHORIZED DISCLOSURE, REPRODUCTION, OR USE IS STRICTLY PROHIBITED WITHOUT WRITTEN PERMISSION.

SUBMITTAL DRAWING
ALL DRAWINGS ARE SUBJECT TO CHANGE WITHOUT PRIOR NOTICE

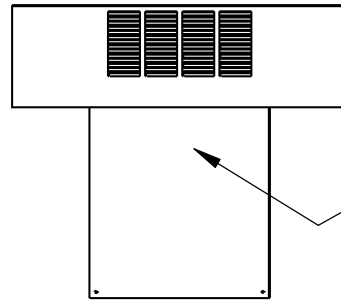
DO NOT SCALE DRAWING
DIMENSIONS ARE IN INCH (MM) FORMAT 1/8" (3) UNLESS OTHERWISE NOTED

TITLE: **MODEL HLE EXPOSED FAN COIL UNIT SERIES D SERVICE ENVELOPE**

DATE	SHEET	DRAWING NO	REV
4/7/16	PAGE 3 OF 4	47-80118	00



RIGHT VIEW
FILTER ACCESS DETAIL
TRAP DOOR OPENED



FRONT VIEW
ACCESS SEQUENCE
DETAIL 1

TRAP DOOR RETAINED BY 1/4 TURN HARDWARE
SWINGS OPEN ON INTEGRATED HINGE-FLANGE
OPEN TRAP DOOR TO ACCESS:

- AIR FILTER
- BLOWER ACCESS PANEL
- ELECTRIC HEAT ACCESS PANEL
- CORNER PANEL MOUNTING HARDWARE



FRONT VIEW
ACCESS SEQUENCE
DETAIL 2

AFTER OPENING TRAP DOOR
CORNER PANELS MAY BE REMOVED
EACH CORNER PANEL RETAINED BY QTY (2)
#10 HEX HEAD SCREWS

OPEN CORNER PANELS TO ACCESS:

- ELECTRICAL ENCLOSURE
- VALVE PACKAGE

UNCONTROLLED WHEN PRINTED



THIS DRAWING CONTAINS PROPRIETARY DATA. UNAUTHORIZED DISCLOSURE, REPRODUCTION, OR USE IS STRICTLY PROHIBITED WITHOUT WRITTEN PERMISSION.

SUBMITTAL DRAWING
ALL DRAWINGS ARE SUBJECT TO CHANGE
WITHOUT PRIOR NOTICE

DO NOT SCALE DRAWING
DIMENSIONS ARE IN INCH (MM) FORMAT
1/8" (3) UNLESS OTHERWISE NOTED

TITLE:
**MODEL HLE EXPOSED FAN COIL UNIT
SERIES D SERVICE ENVELOPE**

DATE	SHEET	DRAWING NO	REV
4/7/16	PAGE 4 OF 4	47-80118	00