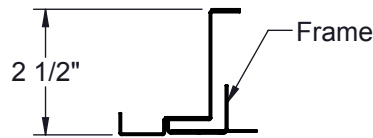
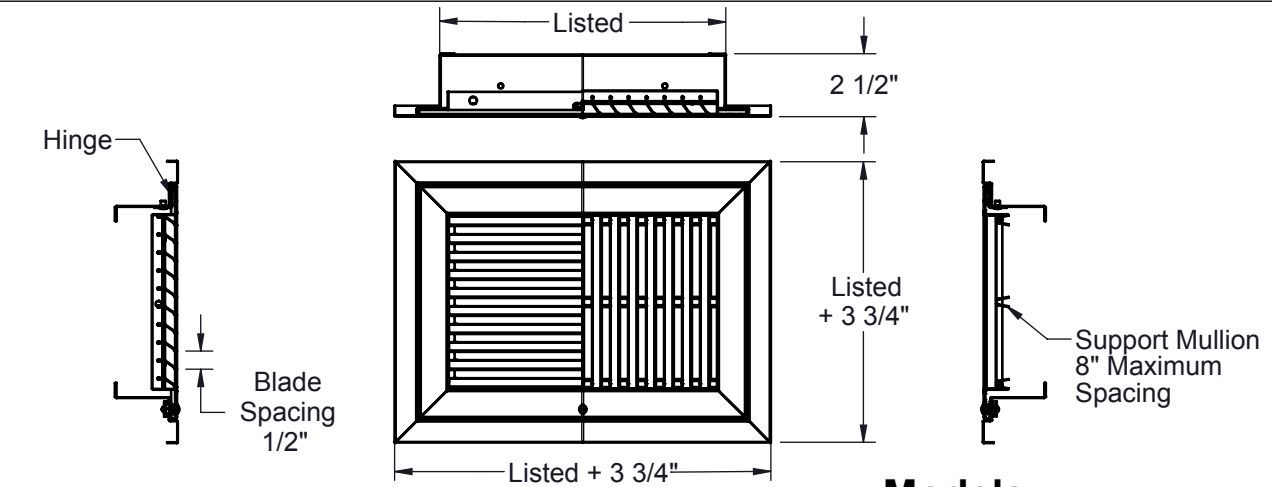
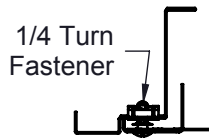


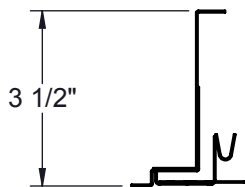
- Model T75FB: horizontal bars, 0° fixed deflection
- Model T75DFB: horizontal bars, 35° fixed deflection
- Model T85FB: vertical bars, 0° fixed deflection
- Model T85DFB: vertical bars, 35° fixed deflection
- Face bars spaced on 1/2" centers
- Available in sizes from 6" x 4" to 48" x 36" in one inch increments (44" x 20" for LT)
- 1" filter frame standard; optional 2" available (filters furnished by others)
- Steel construction with hinges; no hinge option features removable face
- Standard finish is white



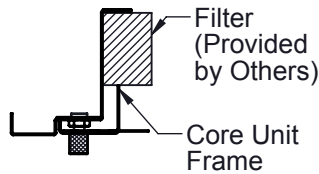
1" FILTER FRAME



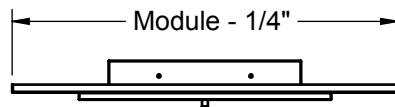
1/4 TURN FASTENER



2" FILTER FRAME



KNURLED KNOB FASTENER



LT FRAME STYLE

Models

- T75FB
- T75DFB
- T85FB
- T85DFB

Hinge Options

- Top
- Bottom
- Left
- Right
- None

Finishes

- WH - White
- ML - Mill
- AP - Aluminum Paint
- OW - Off-White
- FB - Flat Black
- MP - Match Paint

Dimensions in inches

Job: _____	Tag: _____	T75FB/DFB & T85FB/DFB Return Grille with Filter Frame 1/2" Bar Spacing, Steel
Location: _____	Submitted By: _____	
Architect: _____		
Engineer: _____		
Contractor: _____	SD - 1767	Rev: E (10/17)