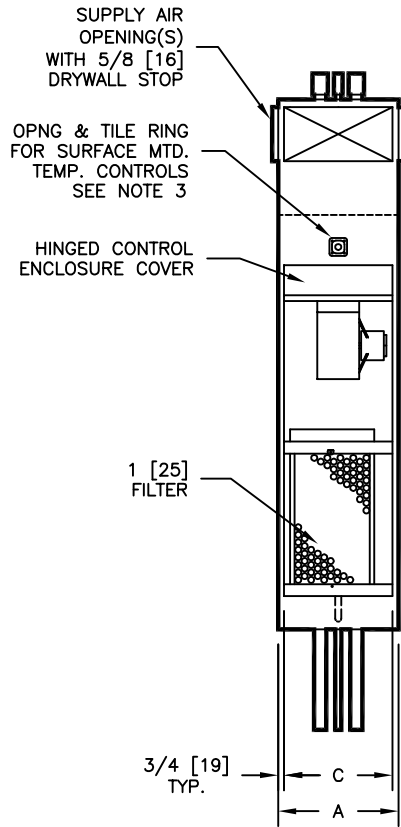
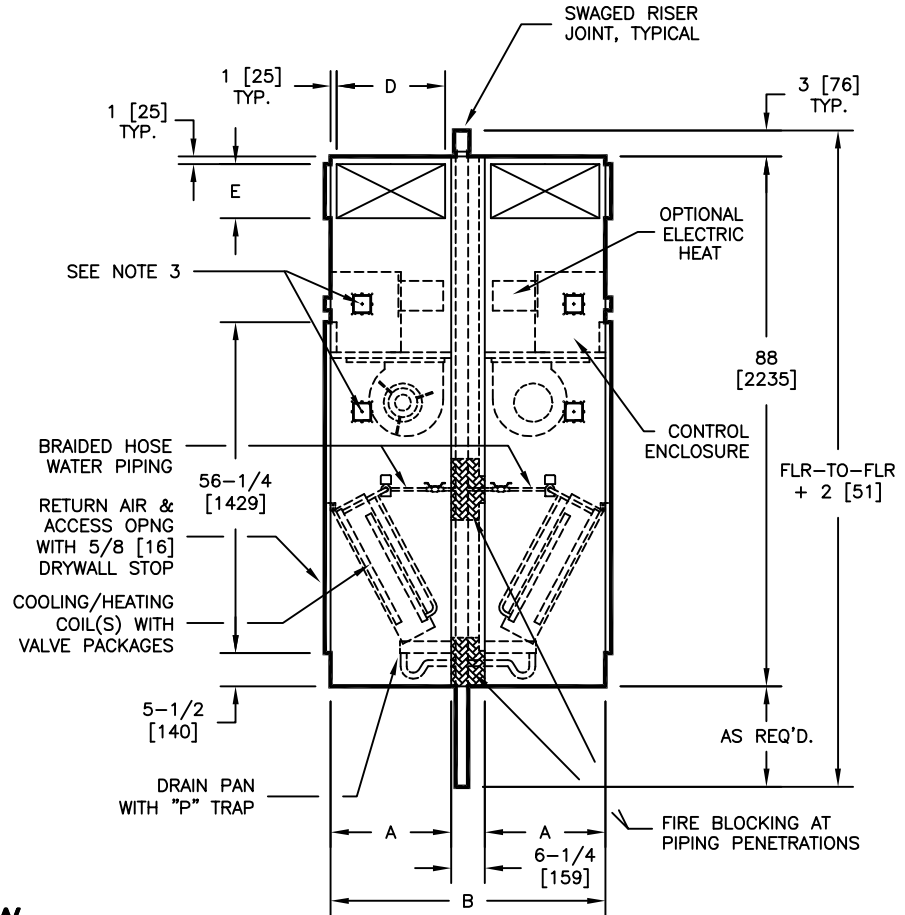


TOP VIEWS



FRONT VIEW



SIDE VIEW

NOTES:

1. All dimensions are Inches [mm]. Metric values are soft conversion.
2. All dimensions are $\pm 1/4$ [6mm].
3. Thermostat mounting— Tile ring is installed on front of unit as shown and may be moved to left or right side of unit in field. Tile ring is omitted on units with "ADA" control mounting location.
4. Wiring from electrical entry point to control enclosure is furnished and installed by others in field.
5. Risers available from $3/4$ " [19mm] to $2-1/2$ " [64mm] diameter with $1/2$ " [13mm] or $3/4$ " [19mm] thick insulation.
6. Riser length is 120" [3048mm] max, 100" [2540mm] min.
7. NON-FIRE RATED unit shown with type-X gypsum board at back of slave unit. FIRE RATED units have type-X gypsum board at back of both slave and master units. FIRE RATED unit design has been tested in accordance with UL1479 - Fire Tests Of Through Penetration Fire Stops, and is approved to bear the ETL listing mark for Through Penetration Fire Stop Assemblies.
8. For further fire rating information refer to the Installation Instructions, drawing 70-74-023
9. See page 2 of 2 for dimensions.
10. Refer to VH Enviro-Pac™ unit configuration drawing for additional unit configurations.

SHEET 1 OF 2

TITLE: MODEL VHA/VHB ENVIRO-PAC™
FIRE RATED AND NON-FIRE RATED
FCU COMBINATIONS
88" CABINETS



DRN BY: ANTO	DATE: 05/10/08	SCALE: NA	DRAWING NO.
CKD BY: D.B.	DATE: 5/12/08	REV: 00	

74-80010

THIS DRAWING CONTAINS PROPRIETARY DATA.
UNAUTHORIZED DISCLOSURE, REPRODUCTION, OR USE
IS STRICTLY PROHIBITED WITHOUT WRITTEN PERMISSION

DO NOT SCALE DRAWING
DIMENSIONS AND DATA ARE SUBJECT TO CHANGE WITHOUT NOTICE.
CONTACT FACTORY FOR CERTIFIED DRAWINGS.

DIMENSIONS - In [mm]

						VHA/VHB SUPPLY AIR		
VHA (MASTER)	VHB (SLAVE)	A	B	C	D	SINGLE/ DOUBLE	TOP	
						E	F	G
03 or 04	03 or 04	18 [457]	42-1/4 [1073]	16-1/2 [419]	16 [406]	8 [203]	6 [152]	8 [203]
03 or 04	06 or 08	20 [508]	46-1/4 [1175]	18-1/2 [470]	18 [457]	12 [305]	6 [152]	12 [305]
03 or 04	10 or 12	24 [610]	54-1/4 [1378]	22-1/2 [572]	22 [559]	14 [356]	8 [203]	14 [356]
06 or 08	03 or 04	20 [508]	46-1/4 [1175]	18-1/2 [470]	18 [457]	12 [305]	6 [152]	12 [305]
06 or 08	06 or 08							
06 or 08	10 or 12	24 [610]	54-1/4 [1378]	22-1/2 [572]	22 [559]	14 [356]	8 [203]	14 [356]
10 or 12	03 or 04	24 [610]	54-1/4 [1378]	22-1/2 [572]	22 [559]	14 [356]	8 [203]	14 [356]
10 or 12	06 or 08							
10 or 12	10 or 12							

See page 1 of 2 for notes:

TITLE: MODEL VHA/VHB ENVIRO-PAC™
FIRE RATED AND NON-FIRE RATED
FCU COMBINATIONS
88" CABINETS

THIS DRAWING CONTAINS PROPRIETARY DATA.
UNAUTHORIZED DISCLOSURE, REPRODUCTION, OR USE
IS STRICTLY PROHIBITED WITHOUT WRITTEN PERMISSION

DO NOT SCALE DRAWING
DIMENSIONS AND DATA ARE SUBJECT TO CHANGE WITHOUT NOTICE.
CONTACT FACTORY FOR CERTIFIED DRAWINGS.



DRN BY: ANTO	DATE: 05/10/08	SCALE: NA	DRAWING NO.
CKD BY: D.B.	DATE: 5/12/08	REV: 00	

74-80010