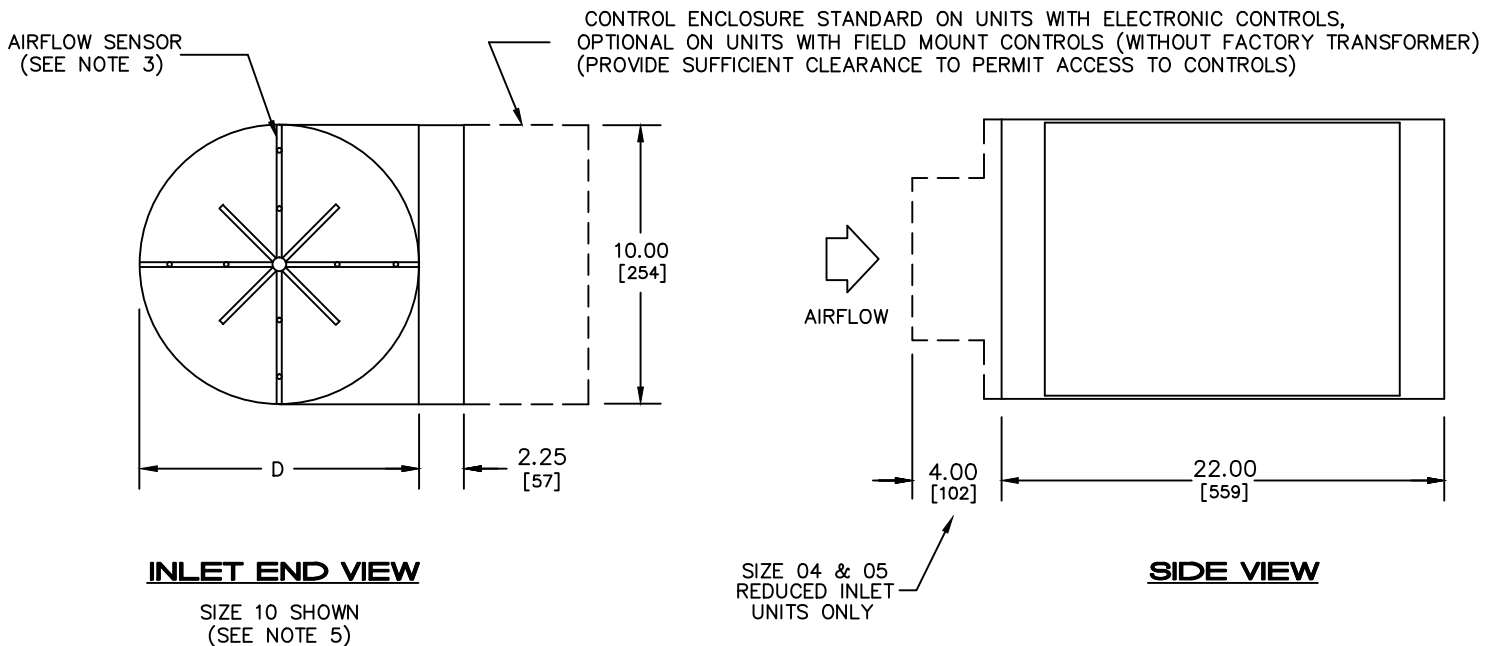
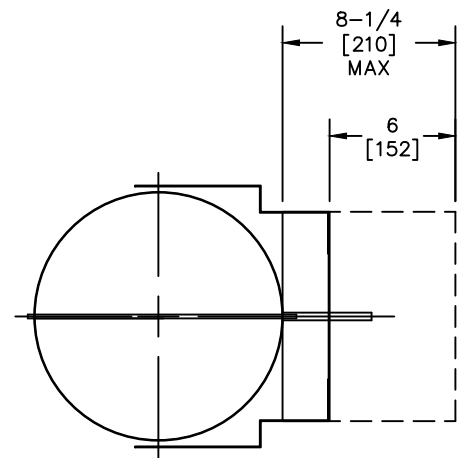
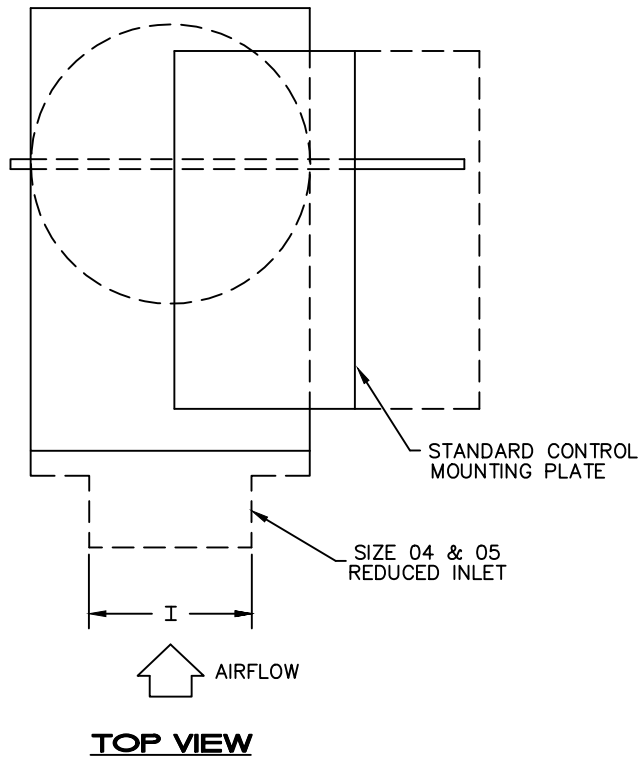


UNIT SIZE	04	05	06	08	10	12	14	16
D	5.88 [149]	5.88 [149]	5.88 [149]	7.88 [200]	9.88 [251]	11.88 [302]	13.88 [353]	15.88 [403]
I	3.88 [99]	4.88 [124]	5.88 [149]	7.88 [200]	9.88 [251]	11.88 [302]	13.88 [353]	15.88 [403]



**NOTES:**

1. All dimensions are in inches [millimeters]. All dimensions  $\pm 1/4"$  [6mm]. Metric values are soft conversions.
2. Casing and air valve fabricated with Galvanized steel.
3. FlowStar™ multi-point airflow sensor with external balance taps. Sizes 04 & 05 utilize single-axis multi-point averaging airflow sensor.
4. Unit should be externally insulated in the field "by others" if required.
5. For units sizes 04-08 the valve wrapper is smaller than the control mounting plate. For units sizes 12-16 the valve wrapper is larger than the control mounting plate, as shown in detail A.

TITLE: MODEL SGX  
TERMINAL UNIT  
SIZES 04 THRU 16



DRN BY: DI	DATE: 08/24/05	SCALE: NTS	DRAWING NO.
CKD BY: CHRIS H	DATE: 07/31/15	REV: 03	

32-80001

THIS DRAWING CONTAINS PROPRIETARY DATA. UNAUTHORIZED DISCLOSURE, REPRODUCTION, OR USE IS STRICTLY PROHIBITED WITHOUT WRITTEN PERMISSION

DO NOT SCALE DRAWING  
DIMENSIONS AND DATA ARE SUBJECT TO CHANGE WITHOUT NOTICE.  
CONTACT FACTORY FOR CERTIFIED DRAWINGS.