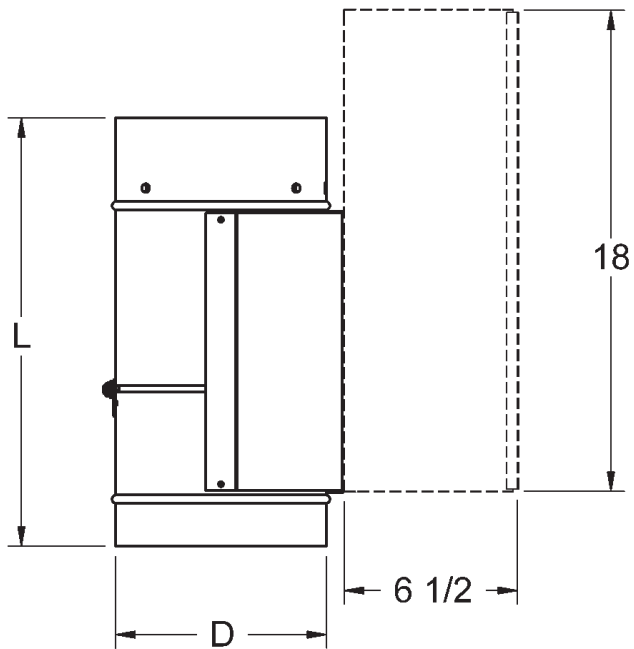
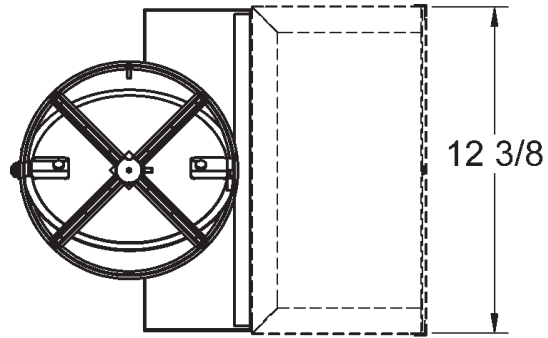


PRODUCT DIMENSIONS

SDR



UNIT SIZE	CFM RANGE MIN TO MAX	LENGTH (L)	INLET DIAMETER (D)
4	0/75-200	20	3-7/8
5	0/125-300	20	4-7/8
6	0/200-450	16	5-7/8
7	0/275-650	16	6-7/8
8	0/350-850	16	7-7/8
10	0/575-1350	20	9-7/8
12	0/850-2000	20	11-7/8
14	0/1100-3000	24	13-7/8
16	0/1500-4000	24	15-7/8