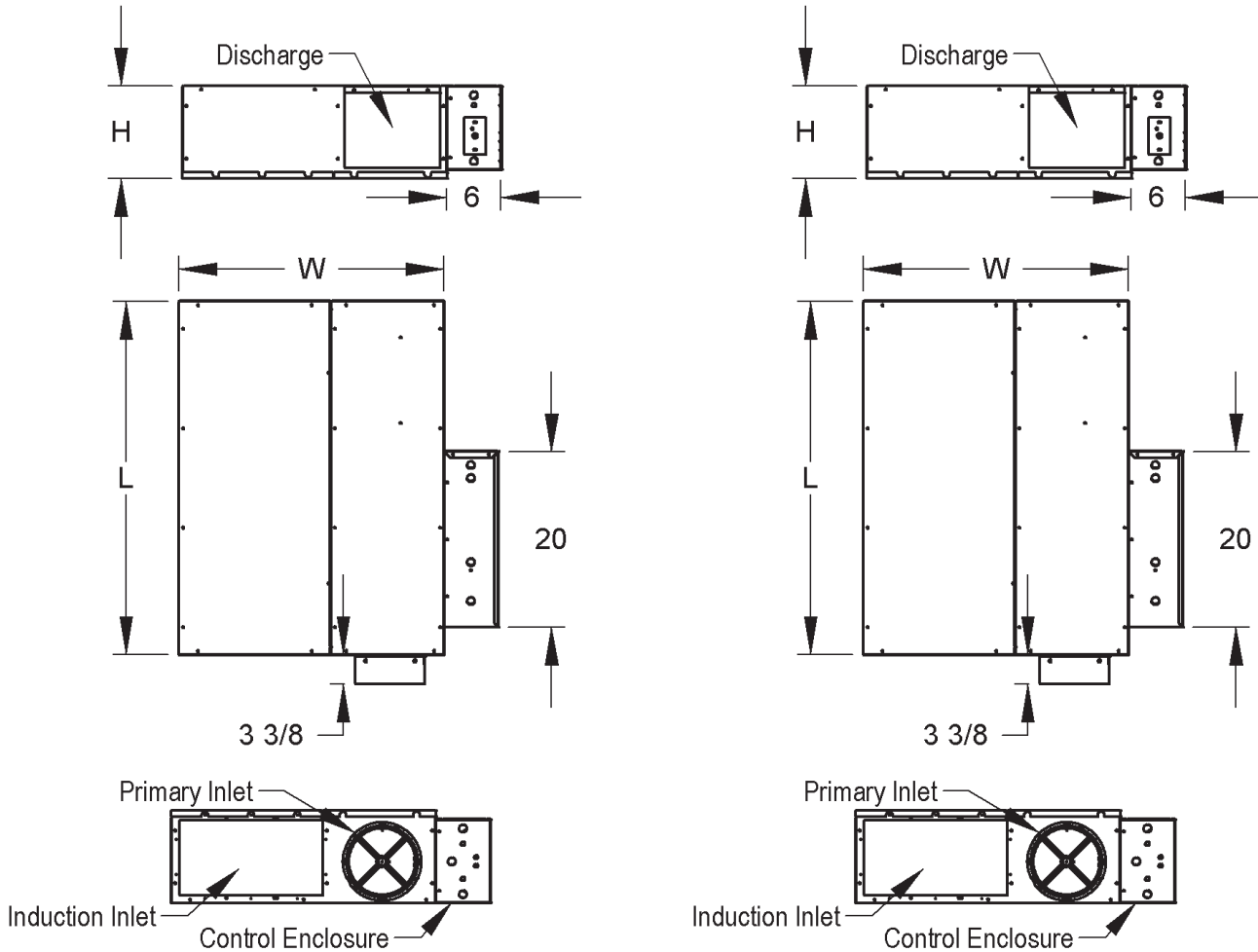


# PRODUCT DIMENSIONS

LPV - No Heat



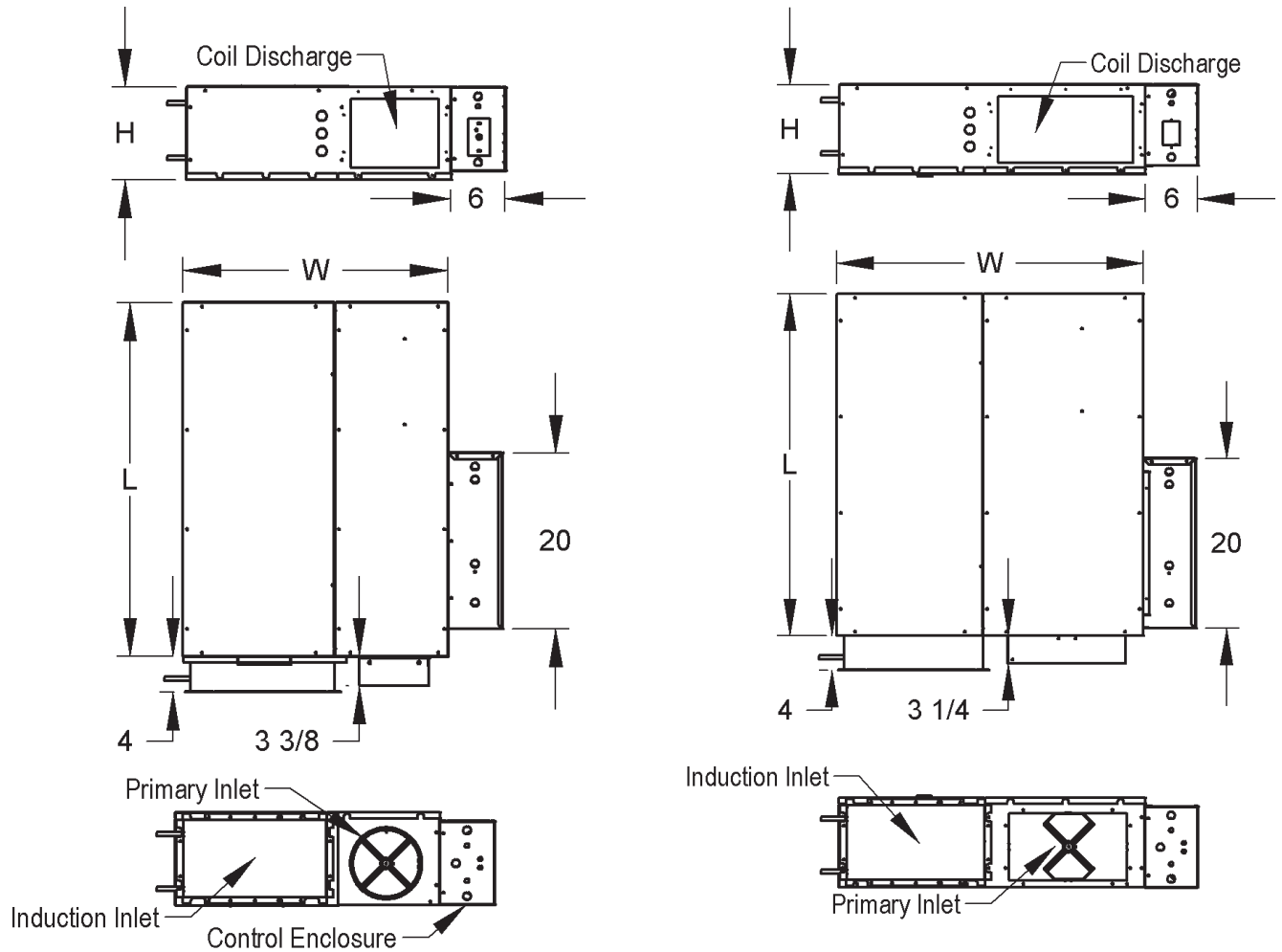
Size	Primary Inlet	Induction Inlet	Coil Discharge	L	W	H
206	6	16 1/4 x 8 1/2	10 x 8 1/2	40 1/4	30	10 1/2
308	8	16 1/4 x 8 1/2	10 x 8 1/2	40 1/4	30	10 1/2
424	14 x 8	16 1/2 x 8 1/4	15 7/8 x 7 7/8	40 1/4	36 1/8	10 1/2



DIMENSIONS IN INCHES

# PRODUCT DIMENSIONS

*LPV - HW Heat*

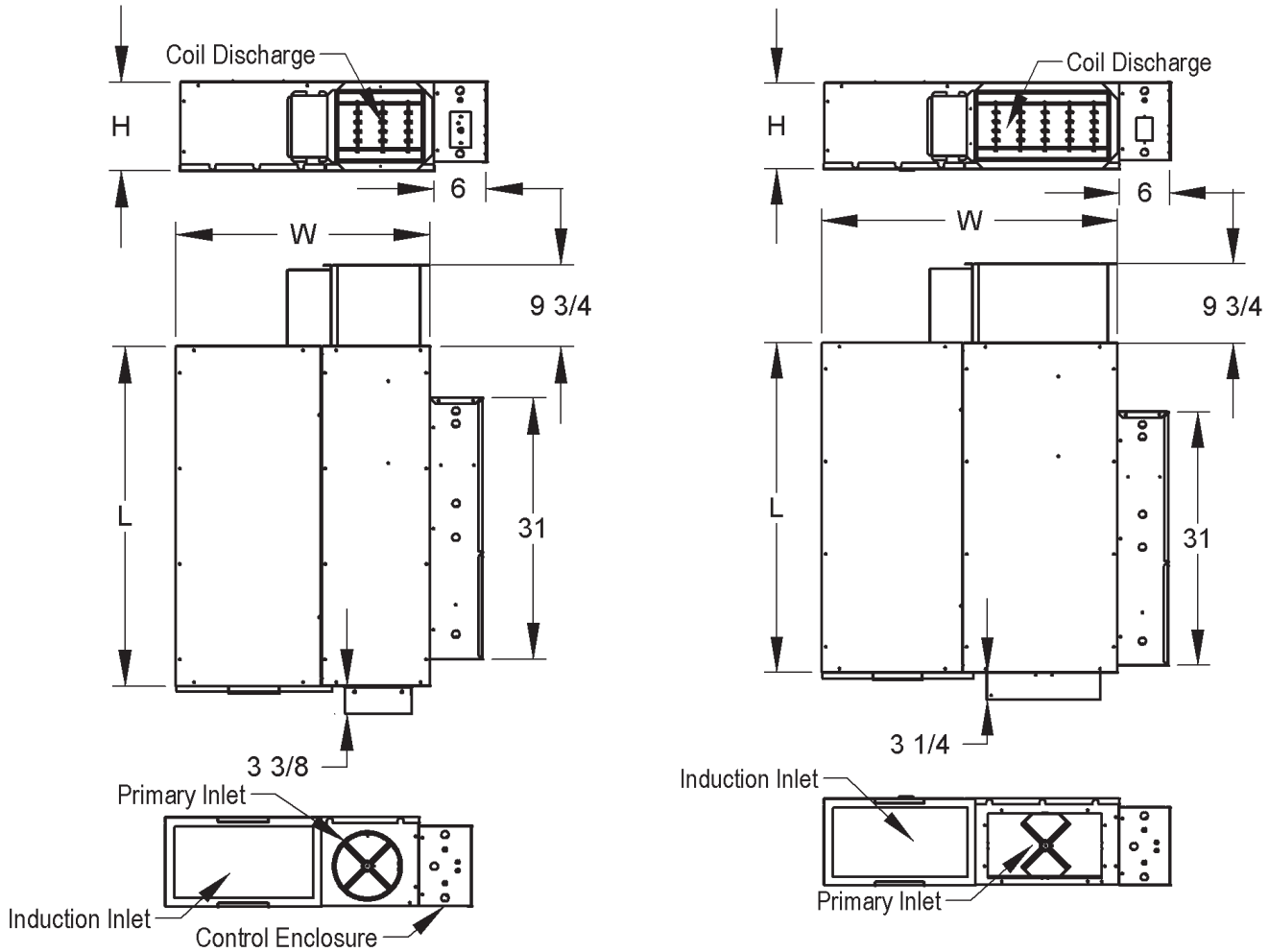


Size	Primary Inlet	Coil Inlet	Discharge	L	W	H
206	6	16 1/4 x 8 3/4	10 x 8 1/2	40 1/4	30	10 1/2
308	8	16 1/4 x 8 3/4	10 x 8 1/2	40 1/4	30	10 1/2
424	14 x 8	16 3/8 x 8 3/4	15 7/8 x 7 7/8	40 1/4	36 1/8	10 1/2



# PRODUCT DIMENSIONS

## LPV - Electric Heat



Size	Primary Inlet	Induction Inlet	Coil Discharge	L	W	H
206	6	16 1/4 x 8 1/2	10 3/8 x 8 3/8	40 1/4	30	10 1/2
308	8	16 1/4 x 8 1/2	10 3/8 x 8 3/8	40 1/4	30	10 1/2
424	14 x 8	16 1/2 x 8 1/4	16 3/8 x 8 3/8	40 1/4	36 1/8	10 1/2

