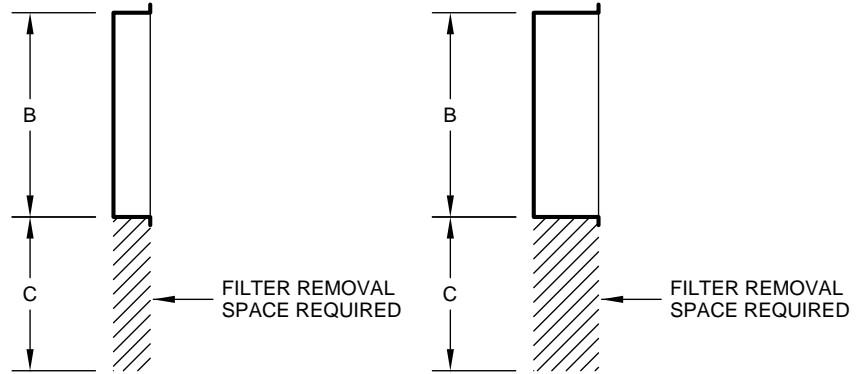
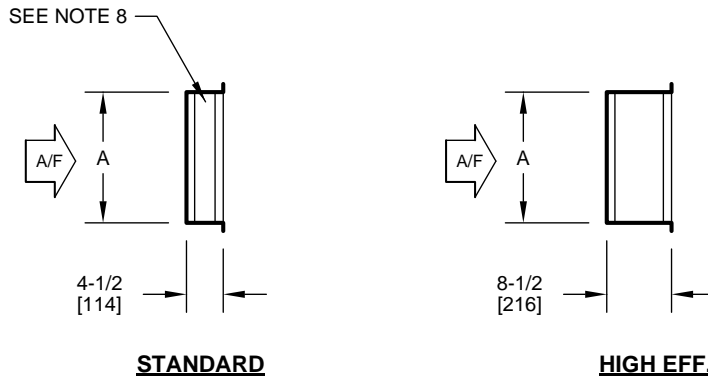


**NOTES:**

1. All dimensions are Inches [millimeters].  
All dimensions  $\pm 1/4"$  [6mm].  
Metric values are soft conversion.
2. All drawings subject to change without prior notice.
3. Flat filter rack may be located at unit inlet as required.
4. Standard rack will accept nominal 1" or 2" thick filters.
5. High eff. rack will accept nominal 2" and/or 4" thick filters.
6. High eff. rack must be installed in a 12" spacer section on "HM" and "VM" units.
7. 1" duct connection space provided on entering side of rack for connection of field ductwork.
8. Hinged cover provided on both sides of externally mounted filter racks. Internal standard filter racks have pivoting bar type filter retainer.
9. See individual unit submittal drawings for location of filter rack on unit.



**TOP VIEWS**



**SIDE VIEWS**

**DIMENSIONS - In [mm]**

| UNIT SIZE | A           | B                | C           | QTY & SIZE FILTERS         |
|-----------|-------------|------------------|-------------|----------------------------|
| 08        | 16<br>[406] | 20<br>[508]      | 20<br>[508] | (1) 16 X 20                |
| 12        | 16<br>[406] | 25<br>[635]      | 25<br>[635] | (1) 16 X 25                |
| 16        | 16<br>[406] | 39-1/2<br>[1003] | 20<br>[508] | (2) 16 X 20                |
| 20        | 16<br>[406] | 44-1/2<br>[1130] | 25<br>[635] | (1) 16 X 20<br>(1) 16 X 25 |
| 25        | 20<br>[508] | 49-1/2<br>[1257] | 20<br>[508] | (2) 20 X 25                |
| 30        | 25<br>[635] | 51<br>[1295]     | 25<br>[635] | (2) 16 X 25<br>(1) 20 X 25 |
| 40        | 25<br>[635] | 59<br>[1499]     | 25<br>[635] | (3) 20 X 25                |
| 50        | 25<br>[635] | 70-1/2<br>[1791] | 20<br>[508] | (2) 16 X 25<br>(2) 20 X 25 |
| 60        | 25<br>[635] | 79<br>[2007]     | 20<br>[508] | (4) 20 X 25                |
| 80        | 32<br>[914] | 94<br>[2388]     | 25<br>[635] | (6) 16 X 25<br>(2) 16 X 20 |

TITLE:

**MODEL H/V SERIES B  
AIR HANDLING UNIT  
STANDARD FLAT FILTER RACK**



**ENVIRO-TEC®**  
ENGINEERING FOR EXCELLENCE

|                 |                   |                |                                  |
|-----------------|-------------------|----------------|----------------------------------|
| DRN BY:<br>HANK | DATE:<br>05/26/98 | SCALE:<br>1=22 | DRAWING NO.<br><br><b>FR-001</b> |
| CKD BY:<br>DL   | DATE:<br>06/23/98 | REV:<br>00     |                                  |