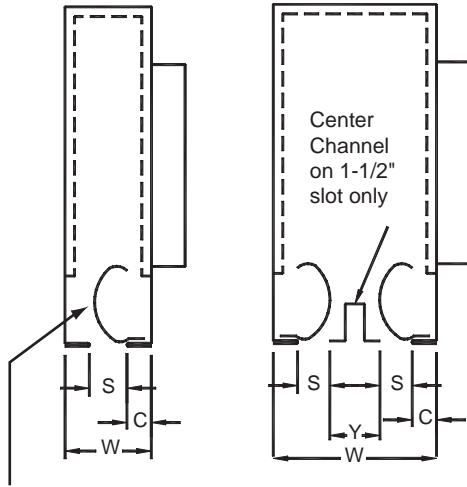


- Curved blade pattern controller ensures a horizontal air pattern from minimum to maximum throw
- Model APPS (Pattern control blades are shipped loose for field installation)
- Model APPSF (Pattern control blades are factory mounted)
- Available lengths: 24", 36", 48" and 60"
- 24" length has 1 blade per slot; 36", 48", and 60" lengths have 2 blades per slot
- Standard finish is black pattern controllers and exposed surfaces, white optional T-bars
- Steel Construction

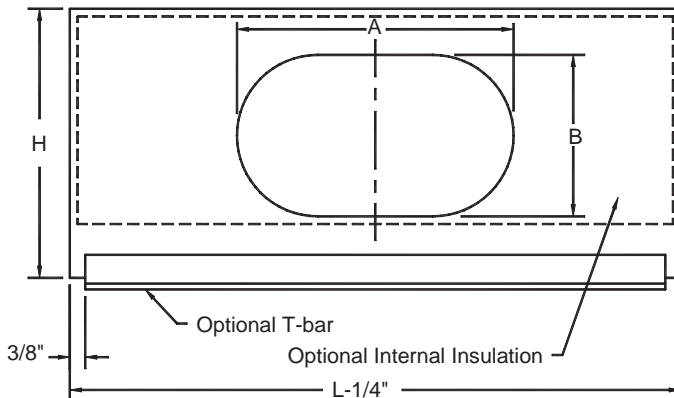


Number of Slots	Slot Width (S)	C	W	Y
1	1"	1/2"	2"	–
	1-1/2"	1/2"	2-1/2"	–
2	1"	1/2"	4"	4"
	1-1/2"	1/2"	5-1/4"	1-1/4"

Optional T-bars shown.
 Center channel is only provided on 2-slot diffuser with 1-1/2" slot width.
 APPS, APPSF designed for standard T-bar ceiling systems.

Pattern control blades can be shipped loose for field installation (model APPS), or factory mounted (model APPSF).

Standard Height (H) is 8".
 Optional 11" height also available.
 12" oval inlet not available on low profile diffuser (8" height).



Available Inlet Sizes	A	B
5" Round	4-7/8"	–
6" Oval	6-1/4"	5-1/4"
8" Oval	9-3/8"	5-1/4"
10" Oval	12-1/2"	5-1/4"
12" Oval	15-5/8"	5-1/4"

Available lengths (L): 24", 36", 48", 60"

Note: For APPS, APPSF accessory options and details, refer to submittal SD - 1856

Dimensions are in inches. Product information subject to change without notice.

PROJECT: _____	SUBMITTED BY: _____	DATE: 5-28-02	SD-1853
ARCHITECT: _____		APPS, APPSF Plenum Slot Diffuser Adjustable, High Capacity	
ENGINEER: _____			
CONTRACTOR: _____			
LOCATION: _____			