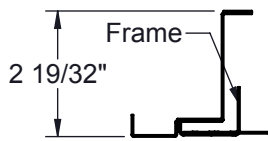
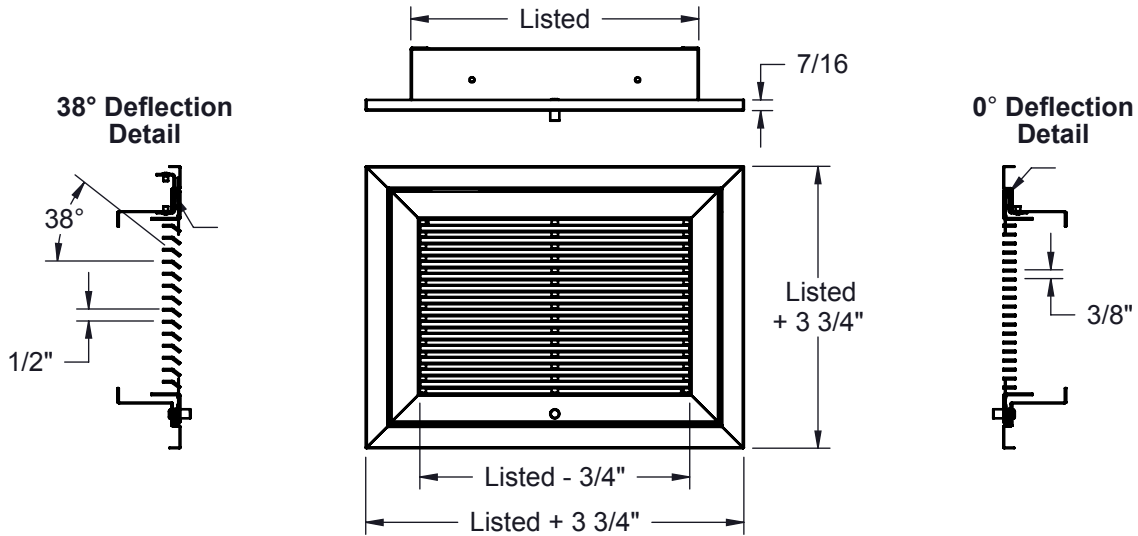
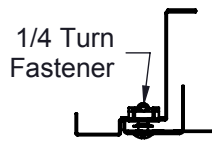


- Model T115FB: 0° fixed deflection, 3/8" bar spacing
- Model T115DFB: 38° fixed deflection, 1/2" bar spacing
- Horizontal or vertical bars available
- Available in sizes from 6" x 4" to 48" x 24" in one inch increments
- 1" filter frame standard; optional 2" available (filters furnished by others)
- Steel construction with hinges
- Available with knurled knob fastener or 1/4 turn fastener
- Standard finish is white



1" FILTER FRAME



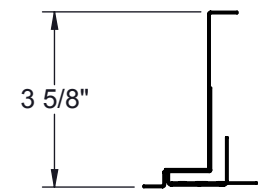
1/4 TURN FASTENER

Models

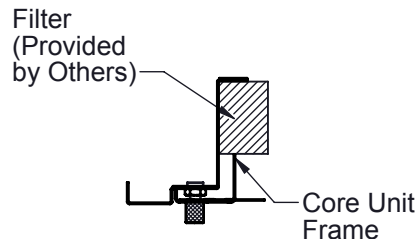
T115FB
T115DFB

Bar Style

Horizontal
Vertical



2" FILTER FRAME



KNURLED KNOB FASTENER

Finishes

WH - White
 AP - Aluminum Paint
 OW - Off-White
 FB - Flat Black
 MP - Match Paint

Dimensions in inches

Job: _____	Tag: _____	T115FB & T115DFB Heavy Duty Return Grille with Filter Frame, Steel
Location: _____	Submitted By: _____	
Architect: _____		
Engineer: _____	SD - 2109	Rev: I (05/18)
Contractor: _____		

These drawings do not detail every aspect of the product. This submittal demonstrates general product dimensions; drawings are not to scale. Tuttle & Bailey reserves the right to make changes without notice. Copyright © 2018 Tuttle & Bailey www.tuttleandbailey.com