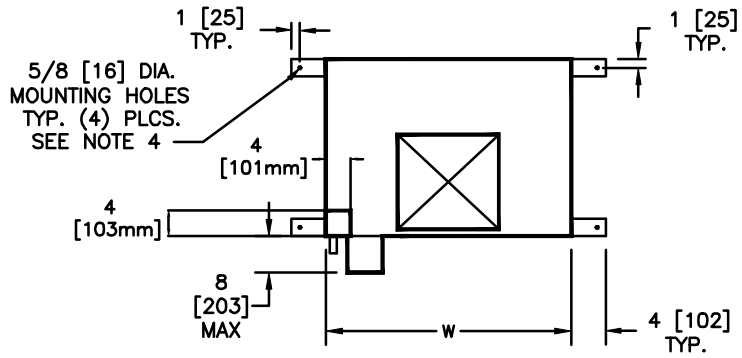
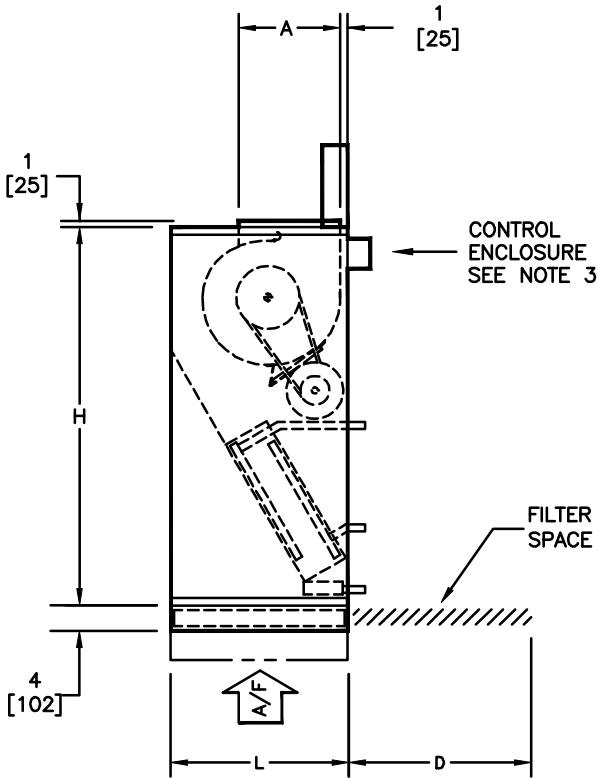


NOTES:

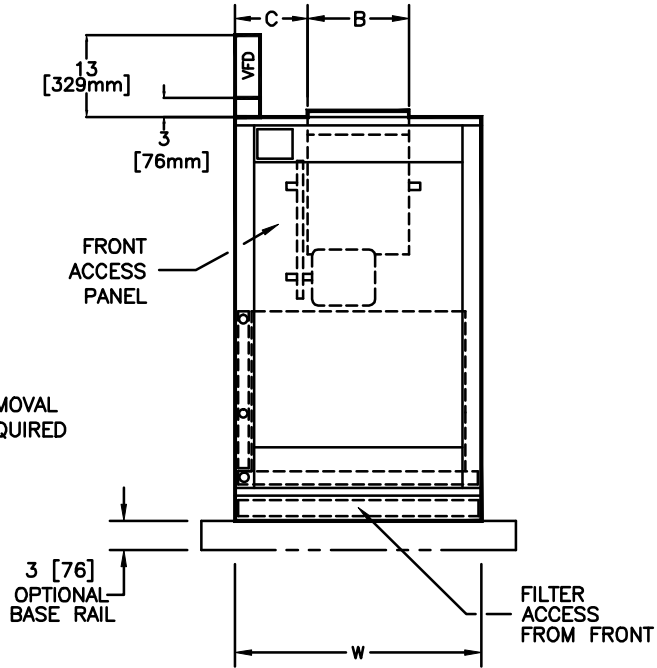
1. All dimensions are inches [millimeters]. All dimensions are $\pm 1/4"$ [6mm]. Metric values are soft conversion.
2. Left hand unit shown. Motor/drive location may be specified Left or Right Hand. Standard control enclosure location matches motor/drive position. Enclosure size varies with options.
3. Provide sufficient clearance to access electrical controls and comply with all applicable codes and ordinances.
4. Optional base rail designed for use with floor mount vibration isolators.



TOP VIEW



SIDE VIEW



FRONT VIEW

DIMENSIONS - In [mm]

UNIT SIZE	FILTER SIZE	QTY	H	W	L	A	B	C	D
08	16 X 20 X 2 [406 X 508 X 51]	1	46 [1168]	26 [660]	19 [483]	6-1/2 [165]	6-7/8 [175]	9-9/16 [243]	16 [406]
12	20 X 20 X 2 [508 X 508 X 51]	1	46 [1168]	26 [660]	21 [533]	7-1/2 [190]	8-1/4 [210]	8-7/8 [225]	20 [508]
16	24 X 24 X 2 [610 X 610 X 51]	1	54 [1372]	29 [737]	25 [635]	7-1/2 [190]	10-1/4 [260]	9-3/8 [238]	24 [610]
20	24 X 24 X 2 [610 X 610 X 51]	1	54 [1372]	29 [737]	28 [711]	11-3/8 [289]	13-1/4 [337]	7-7/8 [200]	24 [610]
25	24 X 24 X 2 [610 X 610 X 51]	1 EACH	60 [1524]	39 [991]	28 [711]	13-1/2 [343]	12-7/8 [327]	13-1/16 [332]	24 [610]
30	12 X 24 X 2 [305 X 610 X 51]	1 EACH	60 [1524]	39 [991]	28 [711]	15-1/4 [387]	15 [381]	12 [305]	24 [610]

TITLE: MODEL VB SERIES "C"
BELT DRIVE BLOWER COIL UNIT WITH VFD
BASIC UNIT - DISCHARGE ARG. 2



DRN BY: GMA DATE: 9/20/16 SCALE: N/A DRAWING NO.
 CND BY: MIKE L. DATE: 9/20/16 REV: 00

52-80022

THIS DRAWING CONTAINS PROPRIETARY DATA. UNAUTHORIZED DISCLOSURE, REPRODUCTION, OR USE IS STRICTLY PROHIBITED WITHOUT WRITTEN PERMISSION.

DO NOT SCALE DRAWING. DIMENSIONS AND DATA ARE SUBJECT TO CHANGE WITHOUT NOTICE. CONTACT FACTORY FOR CERTIFIED DRAWINGS.