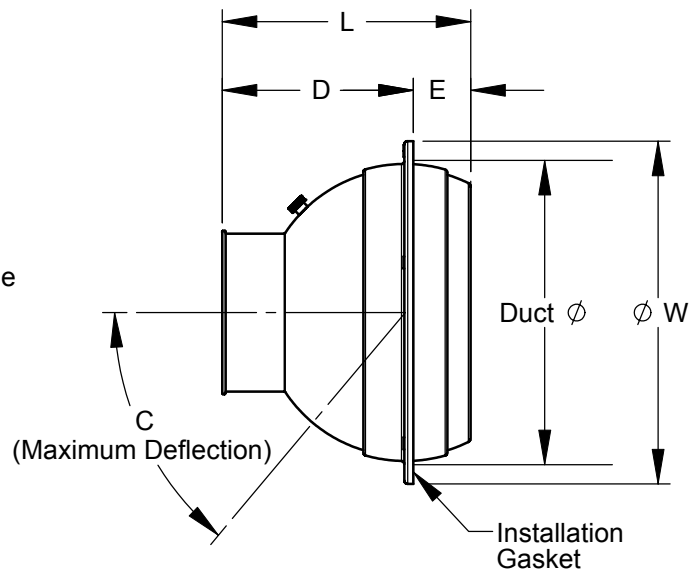
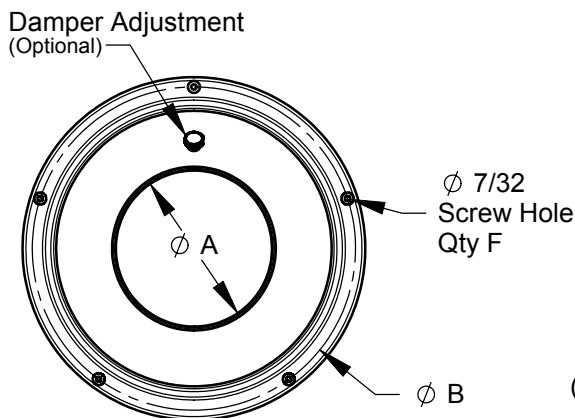
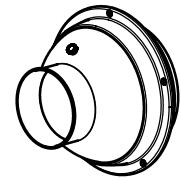


- Solid aluminum construction (spun)
- Felt gasket seal between nozzle and frame
- Closed cell (or felt) installation gasket between frame and wall
- Standard clear anodized finish
- Optional Sliding Plate Damper (shown)



Size	Duct ϕ	W	L	A	B	C	D	E	F
3	3 3/8	4 9/16	2 3/4	1 1/2	3 13/16	32°	2 1/8	11/16	3
4	4 3/8	5 1/2	3 1/2	2	4 13/16	40°	2 9/16	15/16	4
5	5 1/2	6 11/16	4 9/16	2 9/16	6	42°	3 1/4	1 5/16	5
6	6 5/16	7 1/2	5 3/16	2 15/16	6 13/16	42°	3 11/16	1 1/2	5
7	7 1/2	9 1/8	5 7/8	3 9/16	8 3/8	42°	4 3/8	1 1/2	5
8	8 3/16	9 7/8	6 7/16	3 15/16	9 1/8	42°	4 3/4	1 3/4	5
10	11	12 3/4	8 13/16	5 1/2	12	40°	6 7/8	2	5
12	12 1/2	14 5/16	10 3/8	6 1/2	13 1/2	38°	7 7/8	2 1/2	5
16	16 3/4	18 1/2	13 3/8	9 1/16	17 3/4	40°	9 3/4	3 5/8	8
18	19 1/8	21 1/16	15 3/8	10 1/4	20 1/8	38°	11 5/8	3 3/4	8
20	19 1/8	21 1/16	15 3/8	12 1/4	20 1/8	34°	11 5/8	3 3/4	8

Options

Sliding Plate Damper

Dimensions in inches

Job: _____
 Location: _____
 Architect: _____
 Engineer: _____
 Contractor: _____

Tag: _____
 Submitted By: _____
 SD-2023 Rev: A (06/07)

DJ
Spot Diffuser
Surface Mount (SF)