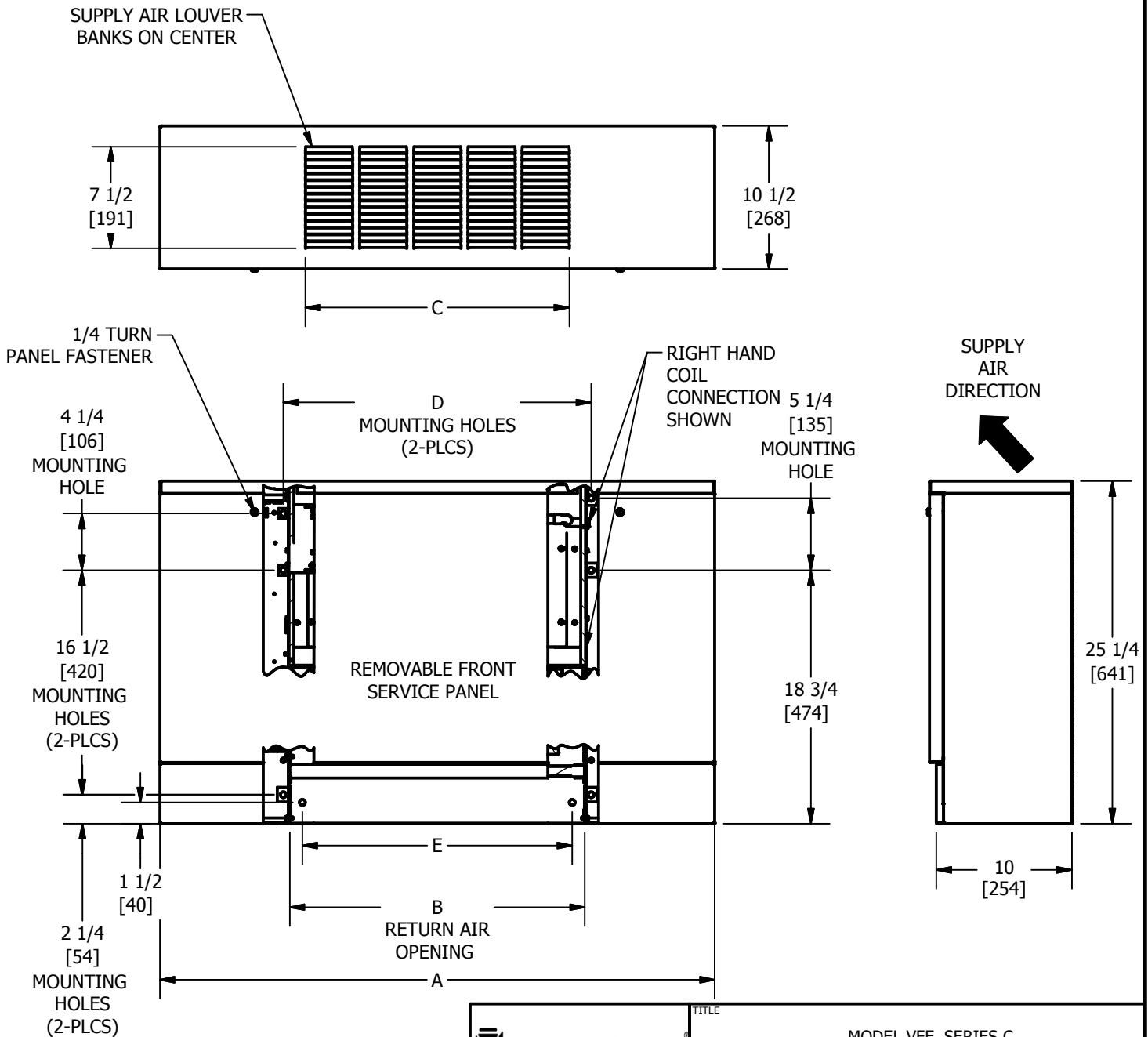


NOTES:

1. All dimensions are Inches [millimeters]. All dimensions are $\pm 1/4"$ [6mm]. Metric values are soft conversion.
2. Junction box size and location varies with unit features. Control options may be limited. Provide sufficient clearance to access electrical controls and comply with applicable codes and ordinances.
3. Standard cabinet finish is "Pearl White Satin".
4. Parametric design available to increase Height or Width. (See parametric offerings drawing.)
5. Some control or piping package options may require extended end pockets and/or extended drain pans. (See extended end pocket drawing.)
6. False back extension available.

TABLE					
Column 1	Column 2	Column 3	Column 4	Column 5	Column 6
UNIT MODEL	DIM A	DIM B	DIM C	DIM D	DIM E
VFE02	41 [1041]	22 [559]	19 1/2 [495]	22 3/4 [578]	20 [508]
VFE03	45 [1143]	26 [660]	23 1/2 [597]	26 3/4 [679]	24 [607]
VFE04	51 [1295]	32 [813]	27 1/2 [699]	32 3/4 [832]	30 [762]
VFE06	61 [1549]	42 [1067]	39 1/2 [1003]	42 3/4 [1086]	40 [1016]
VFE08	63 [1600]	44 [1118]	39 1/2 [1003]	44 3/4 [1137]	42 [1067]
VFE10	77 [1956]	58 [1473]	55 1/2 [1410]	58 3/4 [1492]	53 [1347]
VFE12	85 [2159]	66 [1676]	63 1/2 [1613]	66 3/4 [1695]	64 [1626]



	TITLE			MODEL VFE, SERIES C
	DRN BY	DATE	SCALE	DRAWING NO.
AJM	08/05/15	N/A		
CKD BY	DATE	REV		
ML	08/05/15	02		
				51-80073

THIS DRAWING CONTAINS PROPRIETARY DATA, UNAUTHORIZED DISCLOSURE, REPRODUCTION, OR USE IS STRICTLY PROHIBITED WITHOUT WRITTEN PERMISSION

DO NOT SCALE DRAWING
DIMENSIONS AND DATA ARE SUBJECT TO CHANGE WITHOUT NOTICE.
CONTACT FACTORY FOR CERTIFIED DRAWINGS.