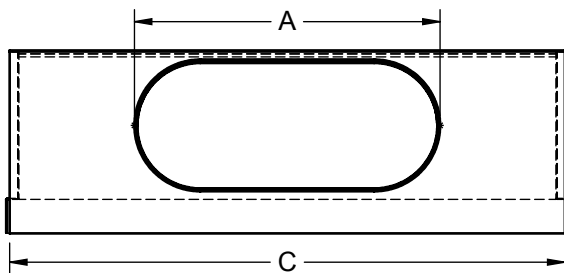
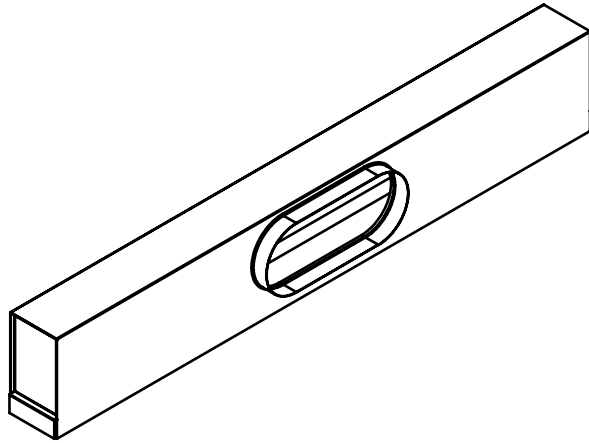
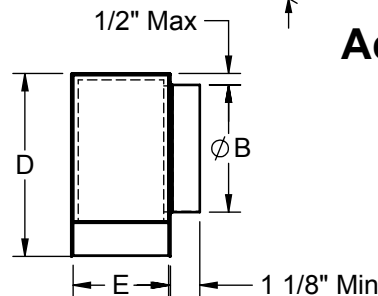
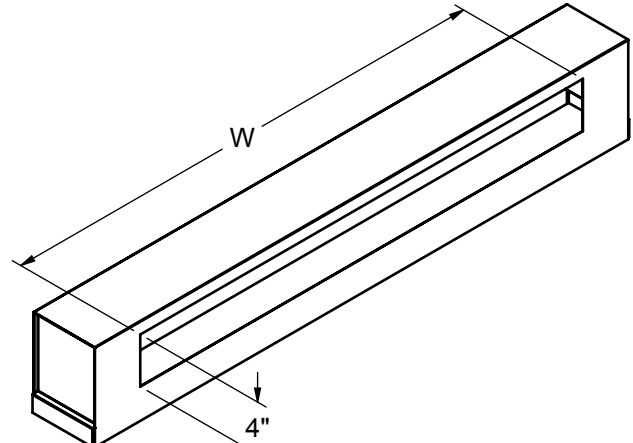


- Designed to fit 6000 diffusers made for Armstrong TechZone ceiling grid systems
- Steel construction
- Available with optional internal insulation
- Plenum for supply diffusers features an oval inlet
- Plenum for return diffusers includes light shield
- Available in nominal lengths of 24", 30", 36", 48", 60", and 72"

Supply



Return



Accessories

- Internal Insulation (Supply Only)
- Inlet Damper (Shipped Loose)

List of Plenum Dimensions

Inlet	A	B
6	6 1/4	5 1/4
8	9 3/8	
10	12 1/2	7 7/8
12	15 5/8	

Profile	D
Low	8
High	11

Number of Slots	E
1	1 7/16
2	2 11/16
3	4 1/8
4	5 7/16

Listed Length	C	W
24	23 1/8	15 1/8
30	29 1/8	21 1/8
36	35 1/8	27 1/8
48	47 1/8	39 1/8
60	59 1/8	51 1/8
72	71 1/8	63 1/8

Dimensions in inches

Job: _____ Location: _____ Architect: _____ Engineer: _____ Contractor: _____	Tag: _____ Submitted By: _____ SD - 2144 Rev: D (09/17)	<h2>LP</h2> <h3>Plenum for TechZone</h3>
---	--	--