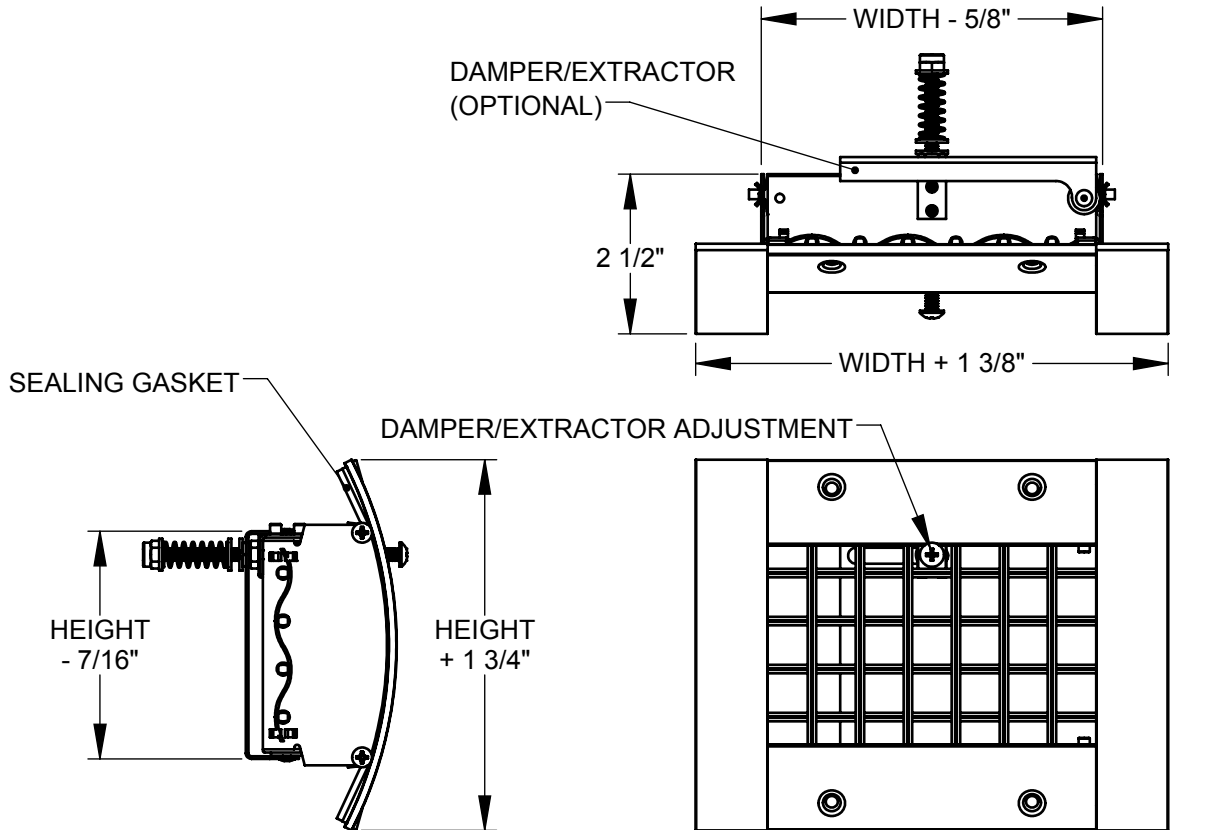
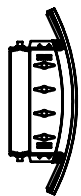


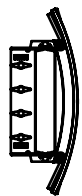
- Double deflection supply grille
- Radius endcaps
- Aluminum construction
- Individually adjustable airfoil blades on 3/4" centers
- Full perimeter gasketing
- Horizontal front blades: SDA54-R
- Vertical front blades: SDA64-R
- Optional damper/extractor (DMPX) shown
- Standard finish is white (WH)



SDA54-R



SDA64-R



SDA64-R WITH DAMPER/EXTRACTOR SHOWN

### Options

Damper/Extractor (DMPX)

Height	3	4	6	8	10	12
Duct Diameter (Min/Max)	6 / 36	6 / 36	10 / 36	12 / 36	14 / 36	16 / 36
Width (Min/Max)	10/48		14 / 48		16 / 48	18 / 48

Dimensions in inches

Job: _____	Tag: _____	<b>SDA54-R / SDA64-R</b> <b>Double Deflection</b> <b>Spiral Duct Grilles with</b> <b>Radius Endcaps</b>
Location: _____	Submitted By: _____	
Architect: _____		
Engineer: _____		
Contractor: _____	SD - 2260	Rev: B (04/20)

These drawings do not detail every aspect of the product. This submittal demonstrates general product dimensions; drawings are not to scale. Tuttle & Bailey reserves the right to make changes without notice. Copyright © 2020 Tuttle & Bailey www.tuttleandbailey.com