



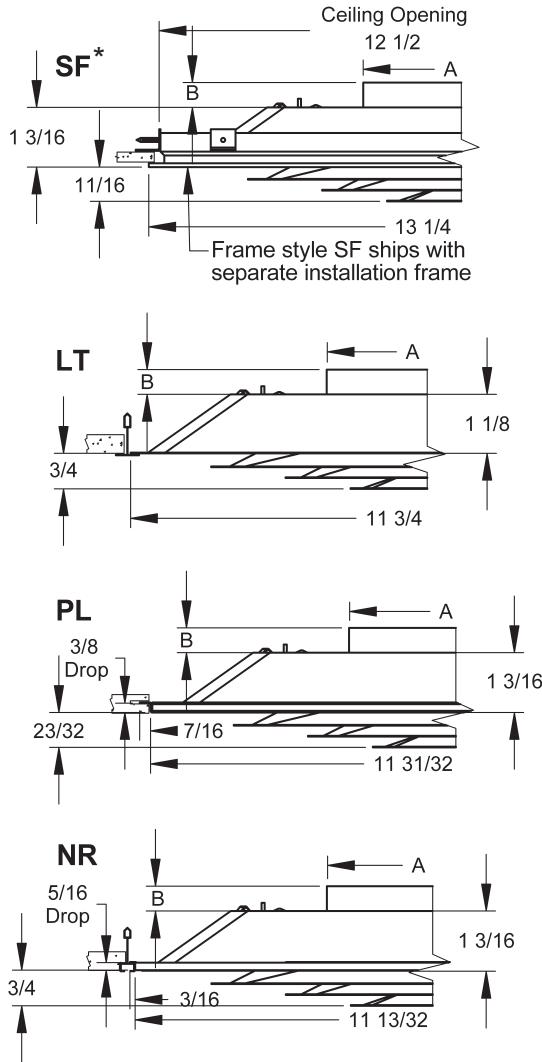
# PRODUCT DIMENSIONS

## 1300, A1300

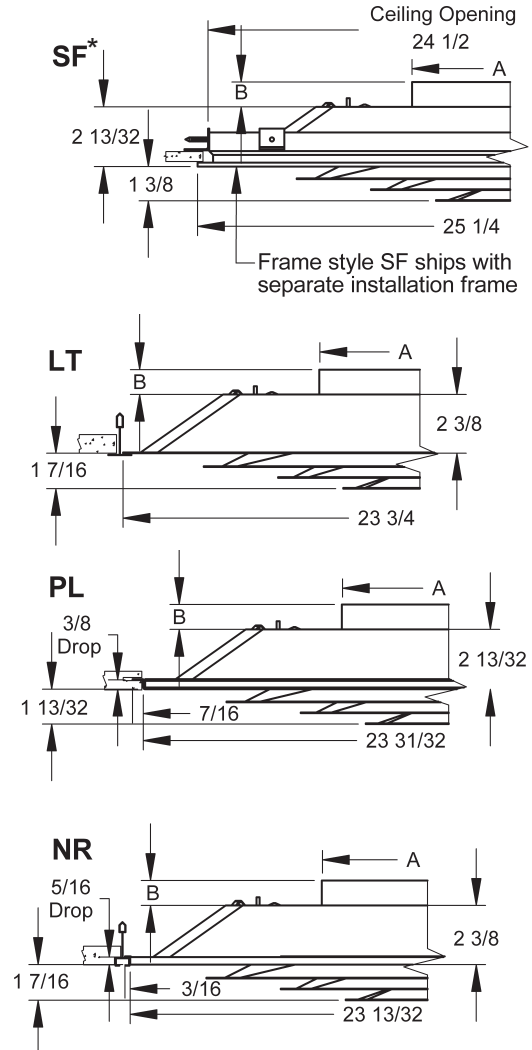
Fixed Pattern

Margin Details: SF, LT, PL & NR

### 12x12 Module



### 24x24 Module



### 12x12 Module

Nom. Duct Size (in.)	1300 Series Steel & Aluminum A	1300 Series Steel B	A1300 Series Aluminum B
6	5-7/8	1-1/2	2
8	7-7/8	1-1/2	2

### 24x24 Module

Nom. Duct Size (in.)	1300 Series Steel & Aluminum A	1300 Series Steel B	A1300 Series Aluminum B
6	5-7/8	1	2
8	7-7/8	1	2
10	9-7/8	1-1/2	2
12	11-7/8	1-1/2	2
14	13-7/8	1-1/2	2
15	14-7/8	1-1/2	2

\*Surface mount margin style includes an aluminum trim frame for installation

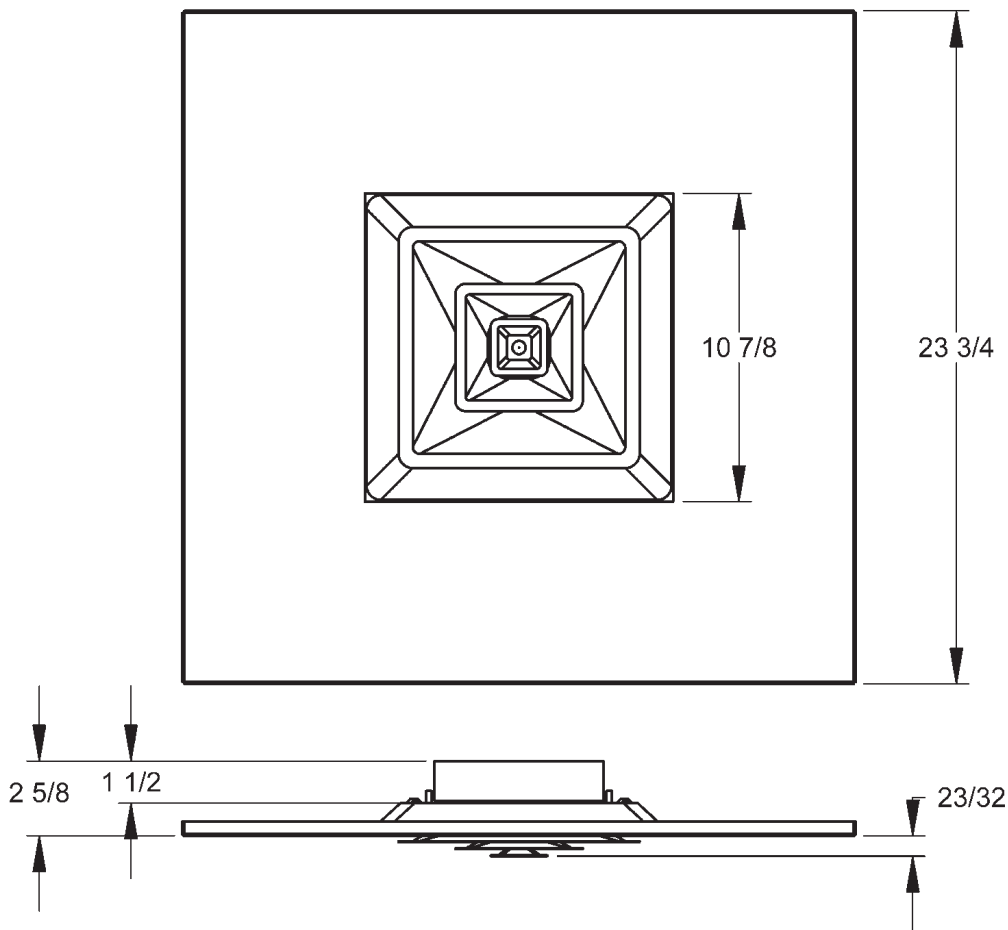


# PRODUCT DIMENSIONS

1300, A1300

Fixed Pattern  
FP Margin

## Face View & Side View 12x12 Face in 24x24 Panel



Ceiling  
Diffusers



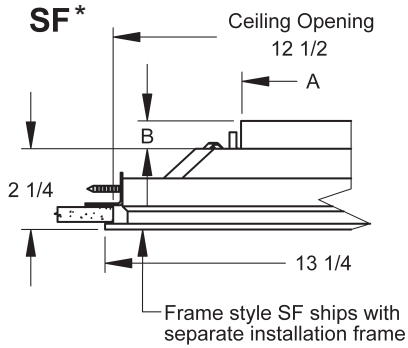
# PRODUCT DIMENSIONS

## 1300A, A1300A

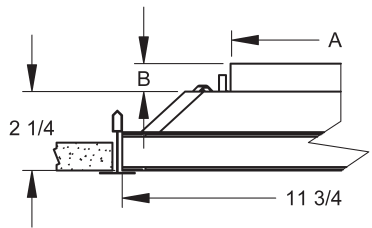
### Adjustable Pattern

### Margin Details: SF, LT, PL & NR

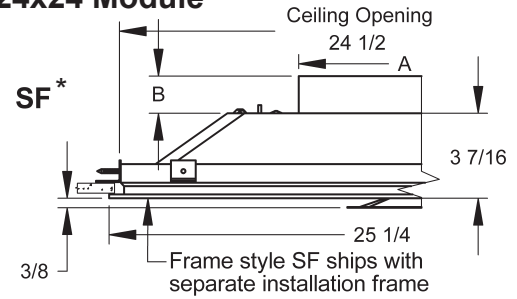
#### 12x12 Module



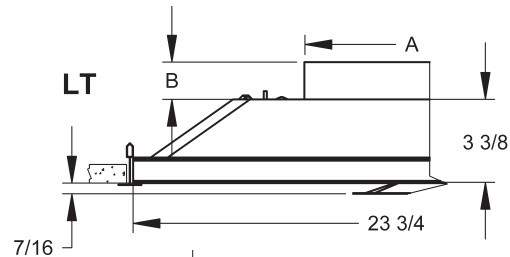
#### LT



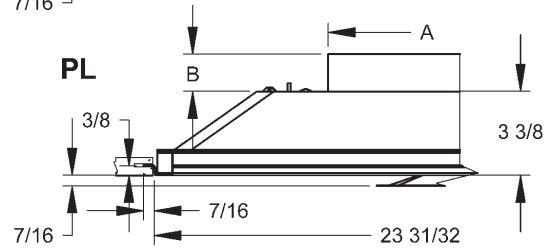
#### 24x24 Module



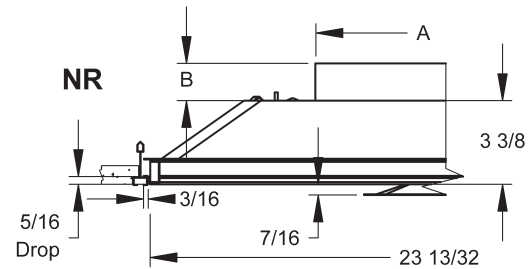
#### LT



#### PL



#### NR



#### 12x12 Module

Nom. Duct Size (in.)	1300 Series Steel & Aluminum A	1300 Series Steel B	A1300 Series Aluminum B
6	5-7/8	1-1/2	2
8	7-7/8	1-1/2	2

#### 24x24 Module

Nom. Duct Size (in.)	1300 Series Steel & Aluminum A	1300 Series Steel B	A1300 Series Aluminum B
6	5-7/8	1	2
8	7-7/8	1	2
10	9-7/8	1-1/2	2
12	11-7/8	1-1/2	2
14	13-7/8	1-1/2	2
15	14-7/8	1-1/2	2

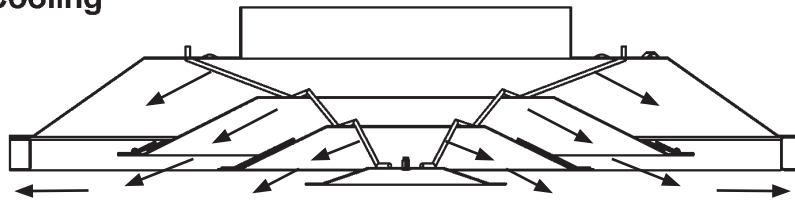
\*Surface mount margin style includes an aluminum trim frame for installation



# PRODUCT DIMENSIONS

1300, A1300  
Mode Adjustment  
1300A & A1300A Adjustable Pattern

Cooling



Heating

